

- Sandwich plate design for use in vertical stacking assemblies
- Poppet design
- Leakfree closure in one or two service ports
- 8 different models
- Installation dimensions to ISO 4401 / DIN 24 340

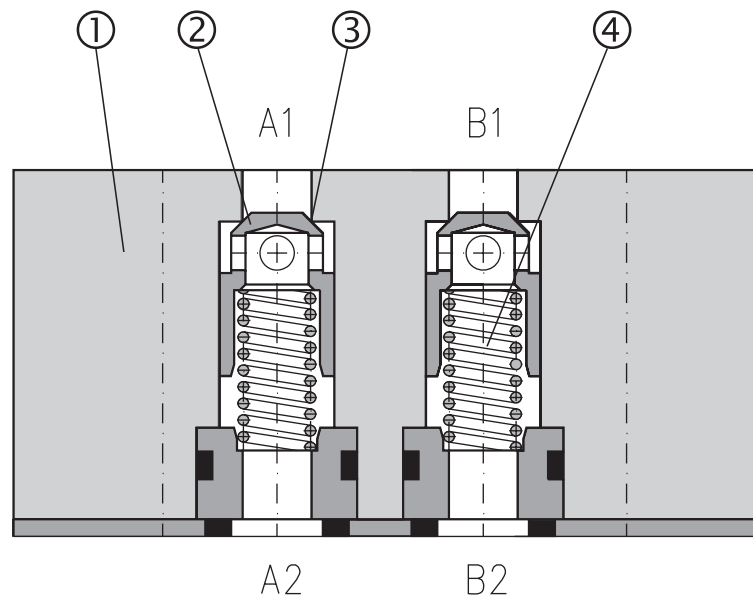


Functional Description

The check valve sandwich plates are used to allow flow in one direction and prevent flow in the other one. The sandwich design enables vertical stacking with other components of the same size. The check elements can be built into one or two ports, the other ports being through-holes. This does not apply to models T and PT where the port T' is blocked.

The seat (3) is machined directly in the housing (1) and the poppet (2) is pushed onto the seat by compression spring (4). The cracking pressure depends on the spring used, on its preload and on the pressurized poppet surface area.

The valve housing surface is phosphate coated.



Ordering Code

MVJ2-10 - -1

Seals
NBR
Viton

no designation
V

Cracking pressure
0,5 bar

005

**Sandwich Check Valve Plate
for Stacking Assemblies**

Functional Symbols

- Check valve in line T*
- Check valve in line P*
- Check valve in line A*
- Check valve in line A*
- Check valve in line B*
- Check valve in line B*
- Check valves in lines B and A*
- Check valves in lines P and T*

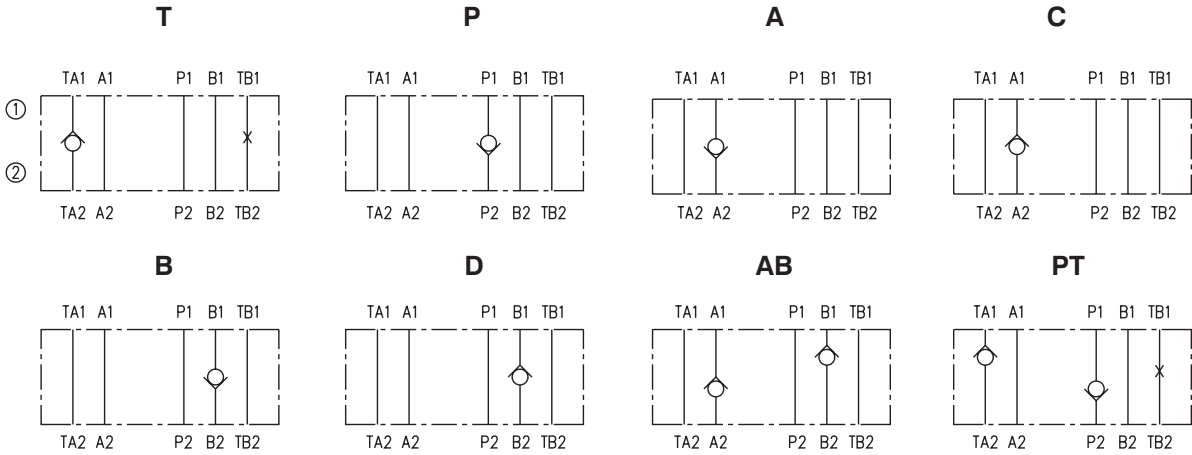
T
P
A
C
B
D
AB
PT

* see the table Functional symbols

Nominal size

**FOR PREFERRED TYPES SEE BOLD TYPING IN ORDERING CODE
AND TABLE OF PREFERRED TYPES ON PAGE 4**

Functional symbols



Notes: Port TB is closed with models T and PT.

The orientation of the symbol on the name plate corresponds with the valve

- ① valve side
- ② subplate or manifold side

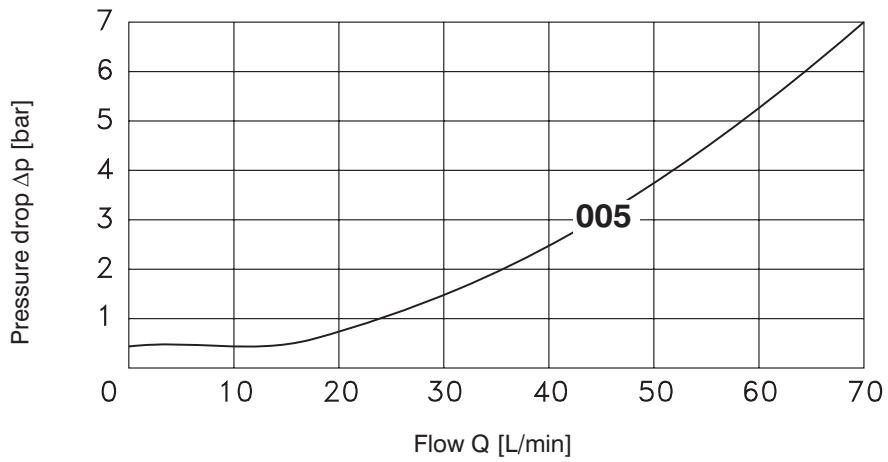
Technical Data

Nominal size	mm	10
Maximum flow rate	L/min	60
Maximum operating pressure	bar	350
Cracking pressure	bar	0.5
Hydraulic fluid		Hydraulic oils of power classes (HL, HLP) to DIN 51524
Fluid temperature range (NBR)	°C	-30 ... +100
Fluid temperature range (FPM)	°C	-20 ... +120
Viscosity range	mm ² /s	20 ... 400
Maximum degree of fluid contamination		Class 21/18/15 to ISO 4406 (1999)
Weight	kg	2.3
Mounting position		optional

Δp-Q Characteristics

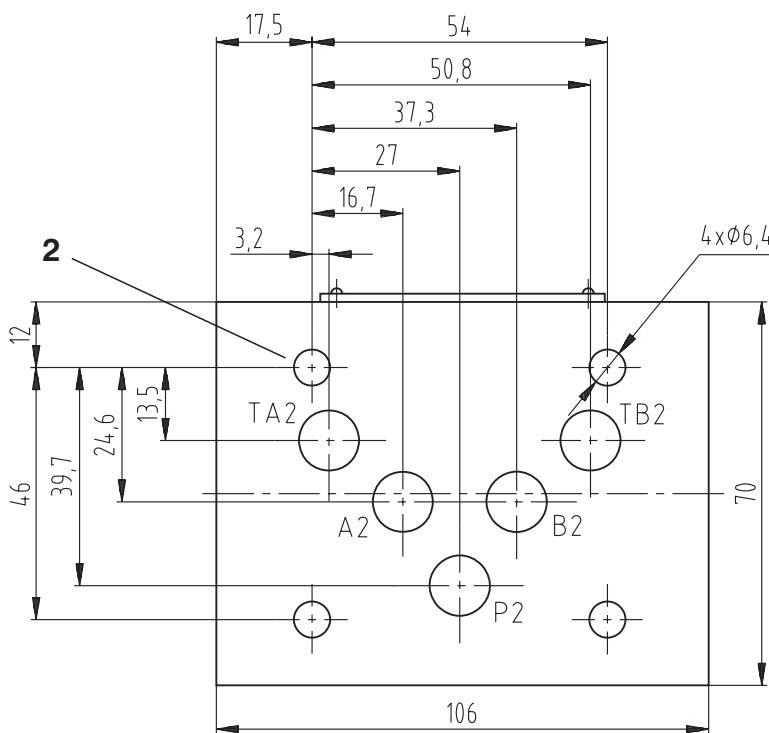
Measured at $v = 32 \text{ mm}^2/\text{s}$

Pressure drop Δp related to flow rate.

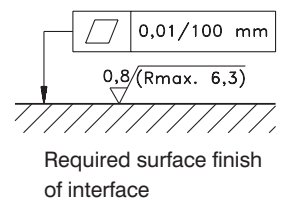
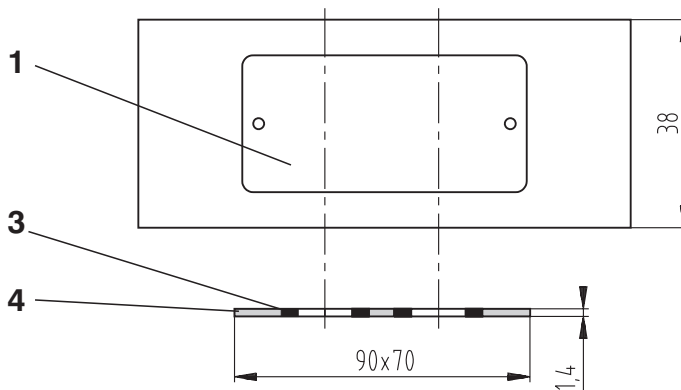


Valve Dimensions

Dimensions in millimetres



- 1 Name plate
- 2 4 mounting through-holes
- 3 Square ring 12.42 x 1.68 (5 pcs.) supplied with valve
- 4 Square ring plate supplied with valve



Spare Parts

Seal kit

Type	Dimensions, quantity		Ordering number
	Square ring	O-ring	
Standard NBR70	12.42 x 1.68 (5 pcs.)	15 x 1.8 (2 pcs.)	530-0199
Viton	-	15 x 1.8 (2 pcs.)	530-0201
	-	12.42 x 1.78 (5 pcs.)	

Preferred Types of Valves

Type	Ordering Number
MVJ2-10/P-005-1	530-0057

Caution!

- The packing foil is recyclable.
- The protective plate can be returned to manufacturer.
- Mounting bolts M6 must be ordered separately. Tightening torque of the bolts is 15 Nm.
- The technical information regarding the product presented in this catalogue is for descriptive purposes only. It should not be construed in any case as a guaranteed representation of the product properties in the sense of the law.

ARGO-HYTOS s.r.o CZ - 543 15 Vrchlabí
 Tel.: +420-499-403111, Fax: +420-499-403421
 E-mail: sales.cz@argo-hytos.com
 www.argo-hytos.com