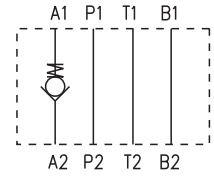


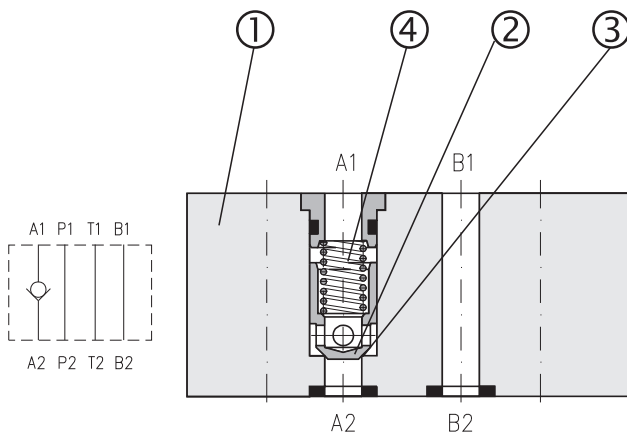
- Sandwich plate design for use in vertical stacking assemblies
- Poppet design
- Leakfree closure in one or two service ports
- 8 different models
- Installation dimensions to ISO 4401 CETOP - RP 121H



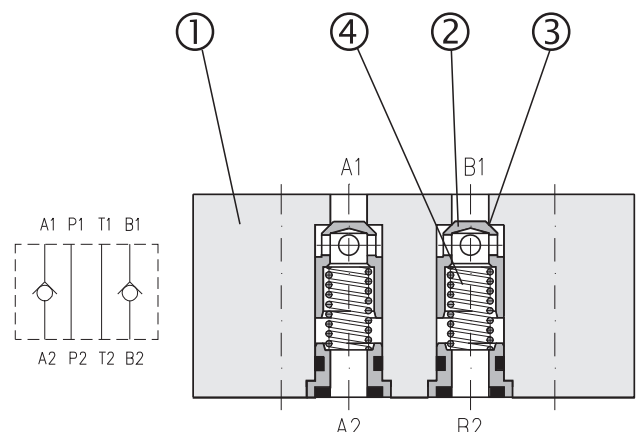
## Functional Description

The check valves sandwich plate are used to allow flow in one direction and prevent flow in the other in the port in which the check element is installed. The sandwich design enables stacking with other components of the same size. The check elements are built into one or two ports, the other ports being through-holes. The seat (3)

is machined directly in the housing (1) and the poppet (2) is pushed onto the seat by the compression spring (4). The cracking pressure depends on the spring selected and the pressurised poppet surface area. The valve housing surface is phosphate coated.



Model A



Model D

# Ordering Code

VJO1-04/M   -    

**Sandwich Check Valve Plate for Stacking Assemblies**

**Nominal size**

**Sandwich plate design**

no designation  
V

**Seal**  
NBR  
Viton (FPM)

05  
15  
30

**Cracking pressure**  
0.5 bar  
1.5 bar  
3 bar

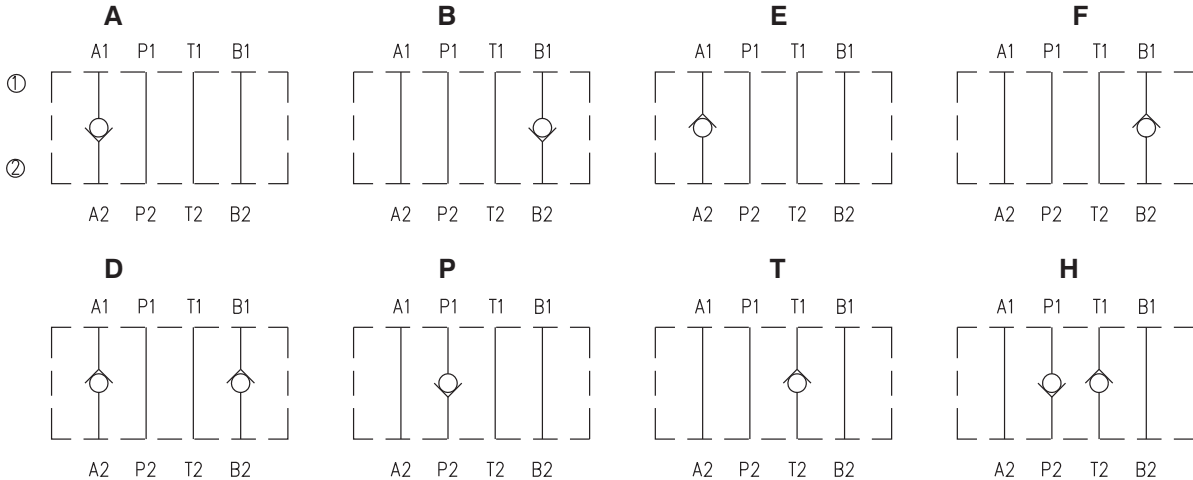
A  
B  
E  
F  
D  
P  
T  
H

**Functional Symbols**  
Check valve in line A\*  
Check valve in line B\*  
Check valve in line A\*  
Check valve in line B\*  
Check valves in lines A and B\*  
Check valve in line P\*  
Check valve in line T\*  
Check valves in lines P and T\*

\* see the table Functional symbols

**FOR PREFERRED TYPES SEE BOLD TYPING IN ORDERING CODE AND TABLE OF PREFERRED TYPES ON PAGE 4**

## Functional Symbols



**Notes:** Symbol orientation on the label corresponds with the valve function.

- ① valve side
- ② subplate or manifold side

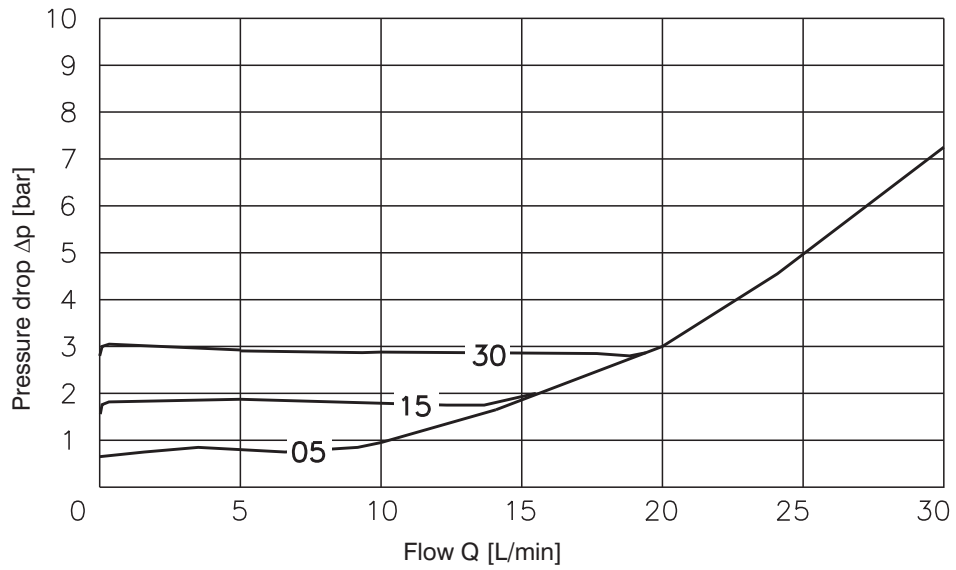
## Technical Data

Nominal size	mm	04
Maximum flow	L/min	30
Maximum operating pressure	bar	320
Cracking pressure	bar	0.5      1.5      3
Hydraulic fluid		Hydraulic oils of power classes (HL, HLP) to DIN 51 524
Fluid temperature range (NBR)	°C	-30 ... +100
Fluid temperature range (FPM)	°C	-20 ... +120
Viscosity range	mm <sup>2</sup> /s	20 ... 400
Maximum degree of fluid contamination		Class 21/18/15 to ISO 4406 (1999).
Weight	kg	0.40
Mounting position		optional

# Δp-Q Characteristics

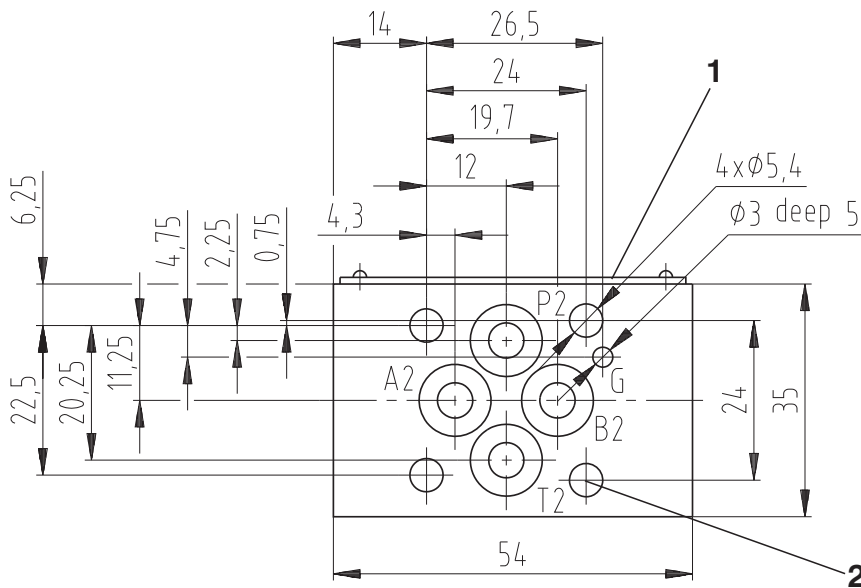
Measured at  $v = 32 \text{ mm}^2/\text{s}$

Pressure drop  $\Delta p$  related to flow rate.

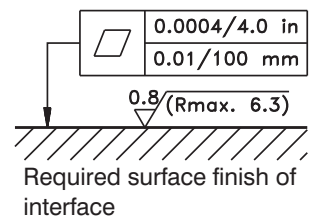
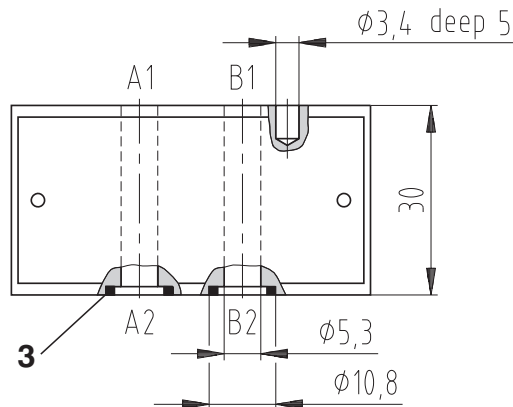


# Valve Dimensions

Dimensions in millimeters



- 1 Name plate
- 2 4 through mounting holes
- 3 Square ring (4 pcs.):  
 standard (NBR) - SR 010 6.07 x 1.68  
 Viton (FPM) - 6.07 x 1.78  
 supplied with valve



## Spare Parts

### Seal kit

Type	Dimensions, quantity		Ordering number
	Square ring	O-ring	
Standard NBR	6.07 x 1.68 (4 pcs.)	-	530-0197
Viton	-	6.07 x 1.78 (4 pcs.)	530-0204

## Preferred Types of Valves

Type	Ordering Number
VJO1-04/MP-05	530-0106

## Caution!

- The packing foil is recyclable.
- The protective plate can be returned to manufacturer.
- The technical information regarding the product presented in this catalogue is for descriptive purposes only. It should not be construed in any case as a guaranteed representation of the product properties in the sense of the law.

ARGO-HYTOS s.r.o. CZ - 543 15 Vrchlaví  
 Tel.: +420-499-403111, Fax: +420-499-403421  
 E-mail: sales.cz@argo-hytos.com  
 www.argo-hytos.com