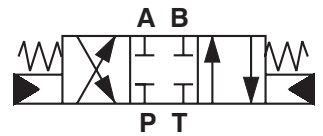


- 4/3, 4/2 way spool type directional valves hydraulic operated

- Installation dimensions to DIN 24 340 / ISO 4401 / CETOP RP121-H

- Three-chamber valve

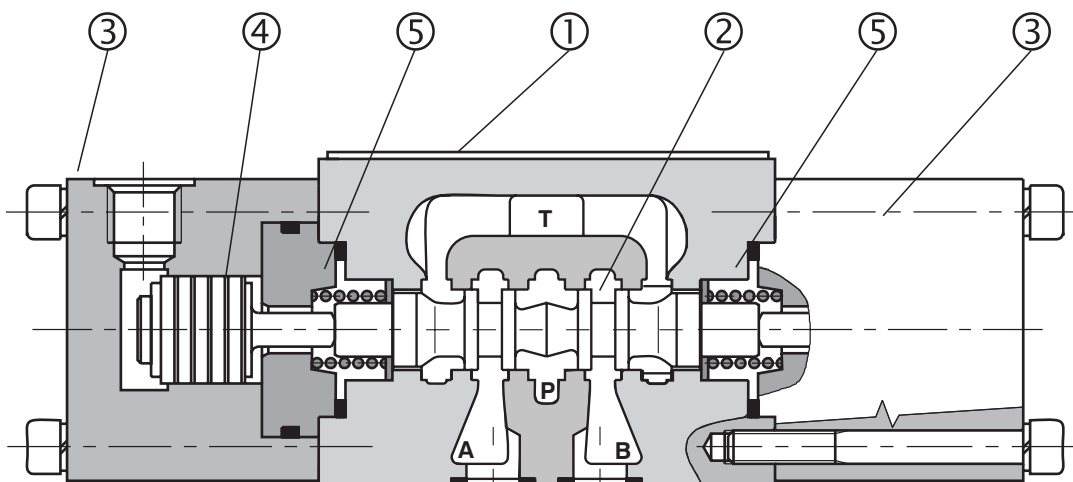


Functional Description

The directional control valves are of modular design and comprise a housing (1) with a cylindrical spool (2) and one or two operating elements (3) consisting of hydraulic pistons (4) and return spring (5). Three-position directional valves are fitted with two hydraulic operating elements and two centering

springs. Two-position directional valves have only one hydraulic operating element and one springs.

The basic surface treatment of valve is phosphate coated.



Ordering Code

RPH2-06 / -1

Hydraulic Pilot Operated Directional Valve

Nominal size

Number of operating positions

two positions
three positions

Functional symbols

see the table functional symbols

2
3

1
2
3

no designation

V

Seals

NBR
FPM (Viton)

Model

Connecting threads

M10x1
G1/8
7/16-20 UNF

Technical Data

Valve size	mm	06
Maximum flow (according to pressure and functional symbols)	L/min	see p-Q characteristics
Maximum operating pressure at ports P, A, B	bar	320
Maximum operating pressure at port T	bar	120
Minimum pilot pressure	bar	30 + pressure at port T
Maximum pilot pressure	bar	160
Pilot volume	cm ³	0.5
Pressure drop	bar	see Δp -Q characteristics
Hydraulic fluid		Hydraulic oils of power classes (HL, HLP) to DIN 51524
Fluid temperature range for standard sealing (NBR)	°C	-30 ... +100
Fluid temperature range for Viton seals (FPM)	°C	-20 ... +120
Viscosity range	mm ² /s	20 ... 400
Maximum degree of fluid contamination		Class 21/18/15 to ISO 4406 (1999).
Service life	cycles	10 ⁷
Weight valve with 1 actuator valve with 2 actuators	kg	1.8 2.5
Mounting position		optional

Spare Parts

Bolt kit

Dimensions, number	Tightening torque	Ordering number
M5 x 45 DIN 912-10.9	8.9 Nm	484-9958

Seal kit

Type	Dimensions, number		Ordering number
	O-ring	Square ring	
Standard NBR	22 x 2 NBR90 (2 pcs.)	9.25 x 1.68 NBR70 (4 pcs.)	482-9000
	28 x 2 (2 pcs.)	-	
Viton	22 x 2 (2 pcs.)	9.25 x 1.78 (4 pcs.)	482-9001
	28 x 2 (2 pcs.)	-	

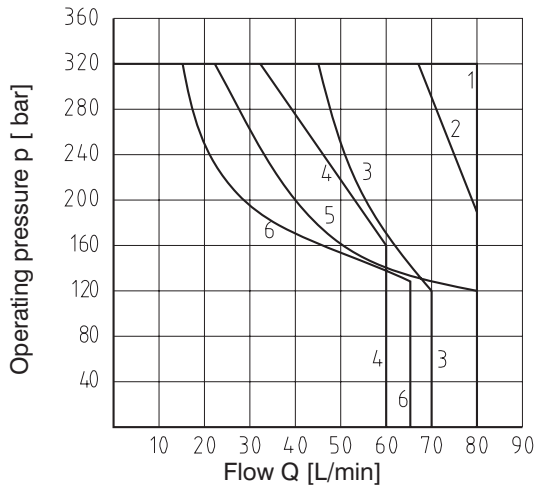
Functional Symbols

Type	Symbol	Crossover	Type	Symbol	Crossover
Z11			C51		
C11			H51		
H11			Y51		
Y11			Y11		
L21			H11		
R11			X11		
A51			Z11		
Z51			J15		

p-Q Characteristics

Measured at $v = 32 \text{ mm}^2/\text{s}$

Operating limits for maximum hydraulic power transferred by the directional valve. Measured by steering pressure 30 bar + pressure at port T. For respective spool type - see spool symbols.

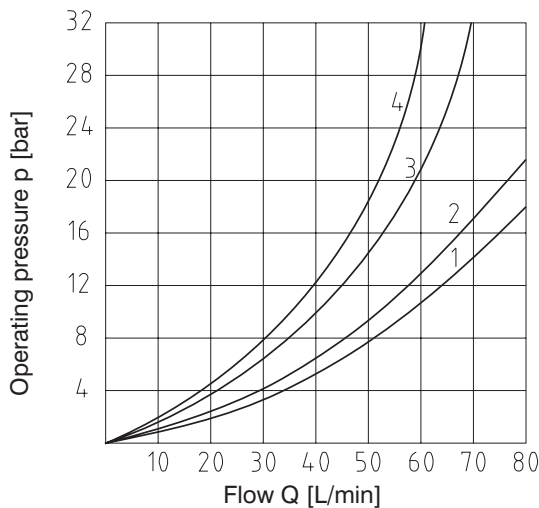


H11	1
H51	1
C11	1
C51	1
Z11	2
Z51	2
J15	3
R11	4
X11	4
A51	5
Y11	6
Y51	6

Δp -Q Characteristics

Measured at $v = 32 \text{ mm}^2/\text{s}$

Pressure drop Δp related to flow rate.

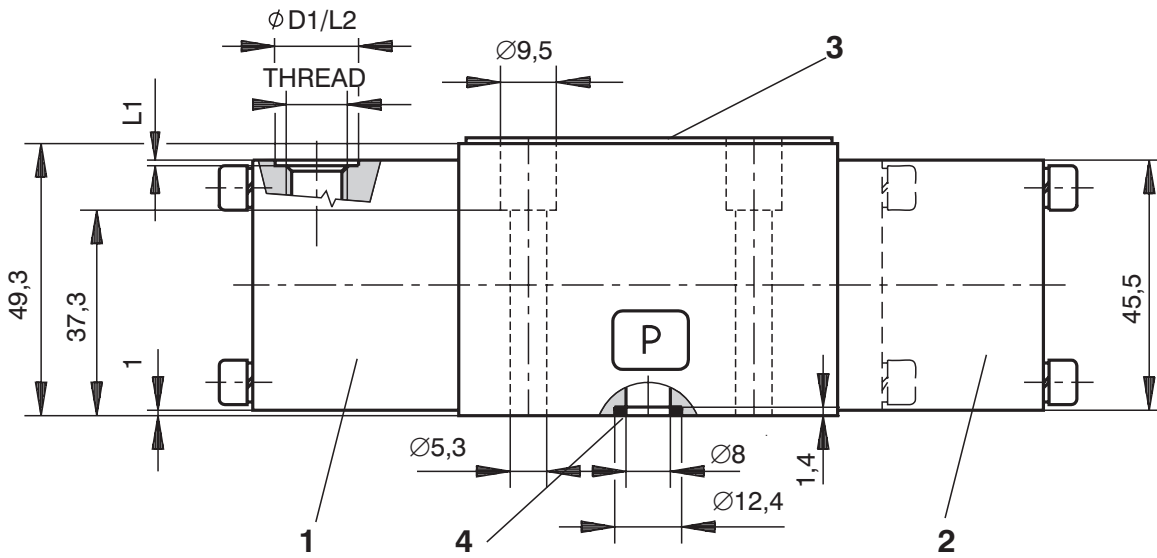
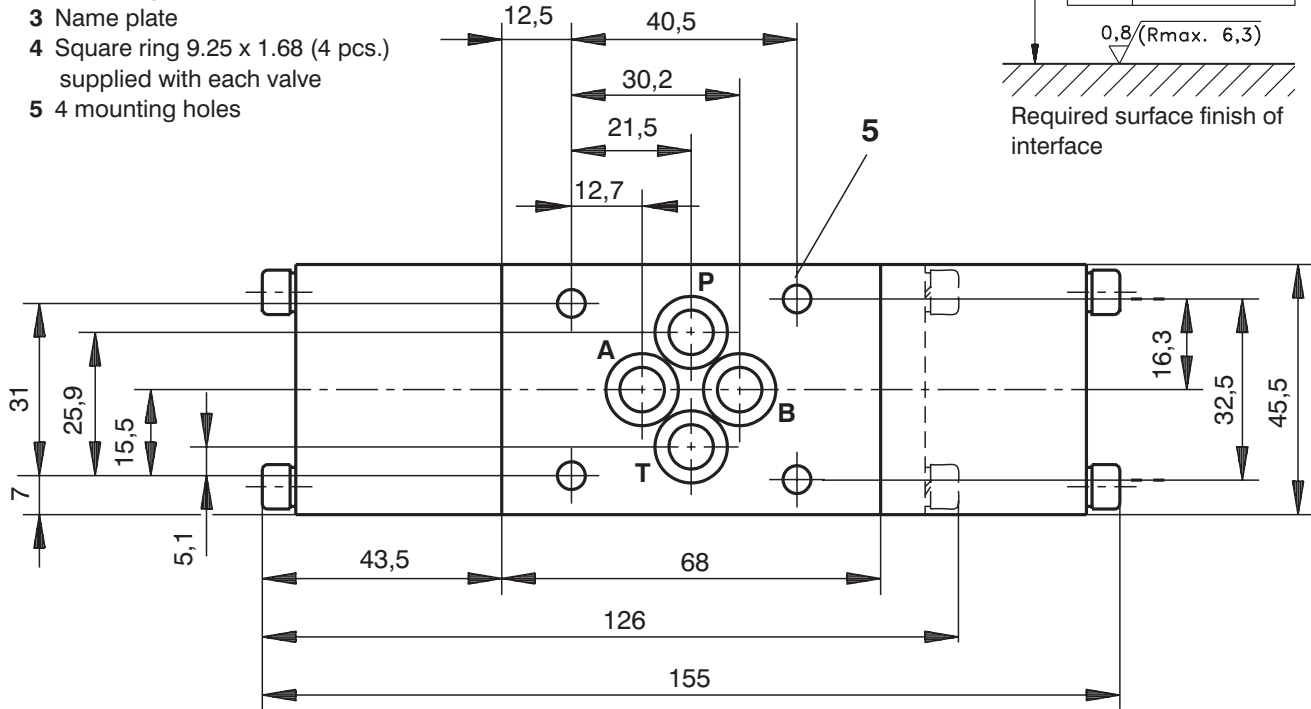
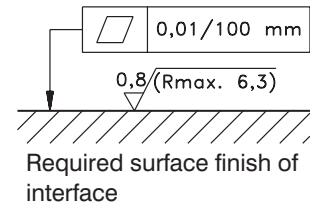


	P-A	P-B	A-T	B-T	P-T
Z11	1	1	2	2	
C11	3	3	3	4	2
H11	1	1	1	1	2
H51	1	1	1	1	2
Y11	1	1	1	1	
C51	3			4	2
Z51		1	2		
R11	1	1	2	2	
A51	1	1			
Y51		1	1		
X11	1	1	2	2	
J15	1	1	2	2	

Valve Dimensions

Dimensions in millimetres

- 1 Operating element 1
- 2 Operating element 2
- 3 Name plate
- 4 Square ring 9.25 x 1.68 (4 pcs.)
supplied with each valve
- 5 4 mounting holes



Thread Size	$\phi D1$	L1	L2
M10x1	15,5	1	8
G1/8			
SAE-4, 7/16-20 UNF-2B	21	0,8	14

Caution!

- The packing foil is recyclable.
- The protective plate can be returned to manufacturer.
- The technical information regarding the product presented in this catalogue is for descriptive purposes only. It should not be construed in any case as a guaranteed representation of the product properties in the sense of the law.

ARGO-HYTOS s.r.o. CZ - 543 15 Vrchlabí
 Tel.: +420-499-403111, Fax: +420-499-403421
 E-mail: sales.cz@argo-hytos.com
 www.argo-hytos.com