

**Table of stud kits for vertical stacking assemblies in combination with directional control valve RPE4-10**

Pressure switch	Pressure reducing valve	Pressure relief valve	Pilot operated check valve	Check valve	Throttle valve	Studs with rolled threads	Maximum working pressure	Ordering number*
Height 43 mm	Height 50 mm	Height 50 mm	Height 50 mm	Height 40 mm	Height 50 mm	$M_u = 14 \text{ Nm}$	$p_{\max}$ bar	
MTS1-10						M6 x 92	320	760-0131
	VRN1-10					M6 x 103	320	760-0130
		VPN2-10				M6 x 103	320	760-0130
			VJR2-10			M6 x 103	320	760-0130
				MVJ2-10		M6 x 92	320	760-0131
					VSO2-10	M6 x 103	320	760-0130
MTS1-10	VRN1-10					M6 x 147	320	760-0144
MTS1-10		VPN2-10				M6 x 147	320	760-0144
MTS1-10			VJR2-10			M6 x 147	320	760-0144
MTS1-10				MVJ2-10		M6 x 136	320	760-0143
MTS1-10					VSO2-10	M6 x 147	320	760-0144
	VRN1-10	VPN2-10				M6 x 152	320	760-0133
	VRN1-10		VJR2-10			M6 x 152	320	760-0133
	VRN1-10			MVJ2-10		M6 x 143	320	760-0132
	VRN1-10				VSO2-10	M6 x 152	320	760-0133
		VPN2-10	VJR2-10			M6 x 152	320	760-0133
		VPN2-10		MVJ2-10		M6 x 143	320	760-0132
		VPN2-10			VSO2-10	M6 x 152	320	760-0133
			VJR2-10	MVJ2-10		M6 x 143	320	760-0132
			VJR2-10		VSO2-10	M6 x 152	320	760-0133
				MVJ2-10	VSO2-10	M6 x 143	320	760-0132
MTS1-10	VRN1-10	VPN2-10				M6 x 199	320	760-0145
MTS1-10	VRN1-10		VJR2-10			M6 x 199	320	760-0145
MTS1-10	VRN1-10			MVJ2-10		M6 x 187	320	760-0134
MTS1-10	VRN1-10				VSO2-10	M6 x 199	320	760-0145
MTS1-10		VPN2-10	VJR2-10			M6 x 199	320	760-0145
MTS1-10		VPN2-10		MVJ2-10		M6 x 187	320	760-0134
MTS1-10		VPN2-10			VSO2-10	M6 x 199	320	760-0145
MTS1-10			VJR2-10	MVJ2-10		M6 x 187	320	760-0134
MTS1-10			VJR2-10		VSO2-10	M6 x 199	320	760-0145
MTS1-10				MVJ2-10	VSO2-10	M6 x 187	320	760-0134
	VRN1-10	VPN2-10	VJR2-10			M6 x 203	320	760-0136
	VRN1-10	VPN2-10		MVJ2-10		M6 x 194	320	760-0135
	VRN1-10	VPN2-10			VSO2-10	M6 x 203	320	760-0136
	VRN1-10		VJR2-10	MVJ2-10		M6 x 194	320	760-0135
	VRN1-10		VJR2-10		VSO2-10	M6 x 203	320	760-0136
	VRN1-10			MVJ2-10	VSO2-10	M6 x 194	320	760-0135

Table of stud kits for vertical stacking assemblies in combination with directional control valve RPE4-10

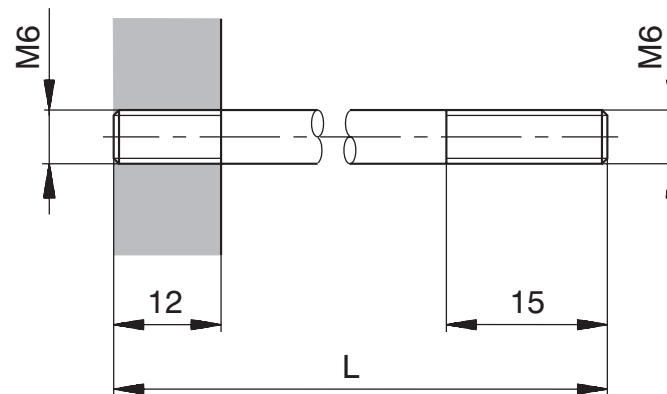
Pressure switch	Pressure reducing valve	Pressure relief valve	Pilot operated check valve	Check valve	Throttle valve	Studs with rolled threads	Maximum working pressure	Ordering number*
Height 43 mm	Height 50 mm	Height 50 mm	Height 50 mm	Height 40 mm	Height 50 mm	$M_u = 14 \text{ Nm}$	$p_{\max}$ bar	
		VPN2-10	VJR2-10	MVJ2-10		M6 x 194	320	760-0135
		VPN2-10	VJR2-10		VSO2-10	M6 x 203	320	760-0136
		VPN2-10		MVJ2-10	VSO2-10	M6 x 194	320	760-0135
			VJR2-10	MVJ2-10	VSO2-10	M6 x 194	320	760-0135
MTS1-10	VRN1-10	VPN2-10	VJR2-10			M6 x 245	250	760-0138
MTS1-10	VRN1-10	VPN2-10		MVJ2-10		M6 x 236	250	760-0137
MTS1-10	VRN1-10	VPN2-10			VSO2-10	M6 x 245	250	760-0138
MTS1-10	VRN1-10		VJR2-10	MVJ2-10		M6 x 236	250	760-0137
MTS1-10	VRN1-10		VJR2-10		VSO2-10	M6 x 245	250	760-0138
MTS1-10	VRN1-10			MVJ2-10	VSO2-10	M6 x 236	250	760-0137
MTS1-10		VPN2-10	VJR2-10	MVJ2-10		M6 x 236	250	760-0137
MTS1-10		VPN2-10	VJR2-10		VSO2-10	M6 x 245	250	760-0138
MTS1-10		VPN2-10		MVJ2-10	VSO2-10	M6 x 236	250	760-0137
MTS1-10			VJR2-10	MVJ2-10	VSO2-10	M6 x 236	250	760-0137
	VRN1-10	VPN2-10	VJR2-10	MVJ2-10		M6 x 245	250	760-0138
	VRN1-10	VPN2-10	VJR2-10		VSO2-10	M6 x 253	250	760-0142
	VRN1-10	VPN2-10		MVJ2-10	VSO2-10	M6 x 245	250	760-0138
	VRN1-10		VJR2-10	MVJ2-10	VSO2-10	M6 x 245	250	760-0138
		VPN2-10	VJR2-10	MVJ2-10	VSO2-10	M6 x 245	250	760-0138
MTS1-10	VRN1-10	VPN2-10	VJR2-10	MVJ2-10		M6 x 287	200	760-0139
MTS1-10	VRN1-10	VPN2-10	VJR2-10		VSO2-10	M6 x 295	200	760-0140
MTS1-10	VRN1-10	VPN2-10		MVJ2-10	VSO2-10	M6 x 287	200	760-0139
MTS1-10	VRN1-10		VJR2-10	MVJ2-10	VSO2-10	M6 x 287	200	760-0139
MTS1-10		VPN2-10	VJR2-10	MVJ2-10	VSO2-10	M6 x 287	200	760-0139
	VRN1-10	VPN2-10	VJR2-10	MVJ2-10	VSO2-10	M6 x 295	200	760-0140

\* The ordering number contains a set of 4 studs and 4 nuts.

# Valve Dimensions

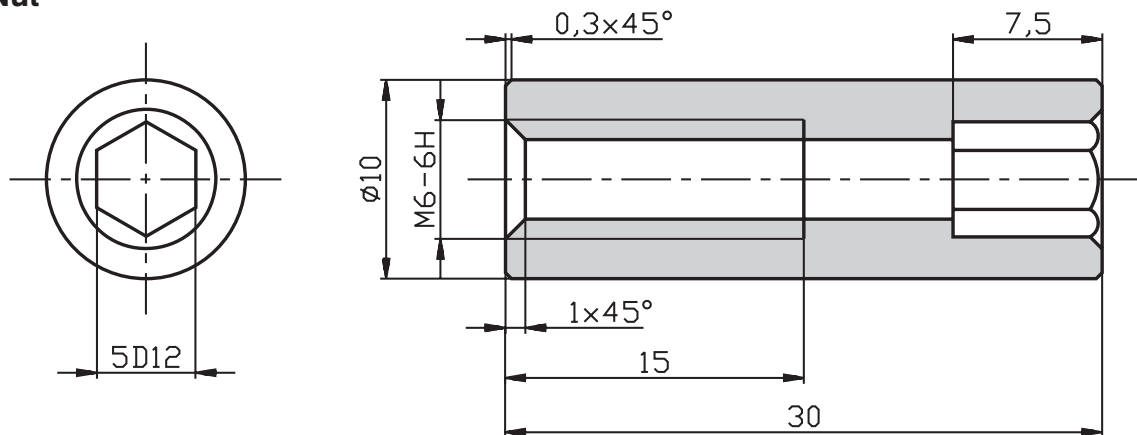
Dimensions in millimeters

## Stud Bolt



Stud bolt M6 x L (length L see the table), class of strength 10.9.

## Stud Nut



### Ordering numbers of individual stud bolts and stud nuts

Name	Dimension	Weight/100 pcs (kg)	Ordering number
Stud Bolt	M6 x 92	1.9	309001006092
Stud Bolt	M6 x 103	2.1	309001006103
Stud Bolt	M6 x 136	2.8	309001006136
Stud Bolt	M6 x 143	3.0	309001006143
Stud Bolt	M6 x 147	3.1	309001006147
Stud Bolt	M6 x 152	3.2	309001006152
Stud Bolt	M6 x 187	4.0	309001006187
Stud Bolt	M6 x 194	4.1	309001006194
Stud Bolt	M6 x 199	4.2	309001006199
Stud Bolt	M6 x 203	4.3	309001006203
Stud Bolt	M6 x 236	5.0	309001006236
Stud Bolt	M6 x 245	5.2	309001006245
Stud Bolt	M6 x 253	5.5	309001006253
Stud Bolt	M6 x 287	6.1	309001006287
Stud Bolt	M6 x 295	6.4	309001006295
Stud Nut	M6	1.31	760/4220

## Caution!

- The technical information regarding the product presented in this catalogue is for descriptive purposes only. It should not be construed in any case as a guaranteed representation of the product properties in the sense of the law.

ARGO-HYTOS s.r.o. CZ - 543 15 Vrchlabí  
Tel.: +420-499-403111, Fax: +420-499-403421  
E-mail: sales.cz@argo-hytos.com  
www.argo-hytos.com