

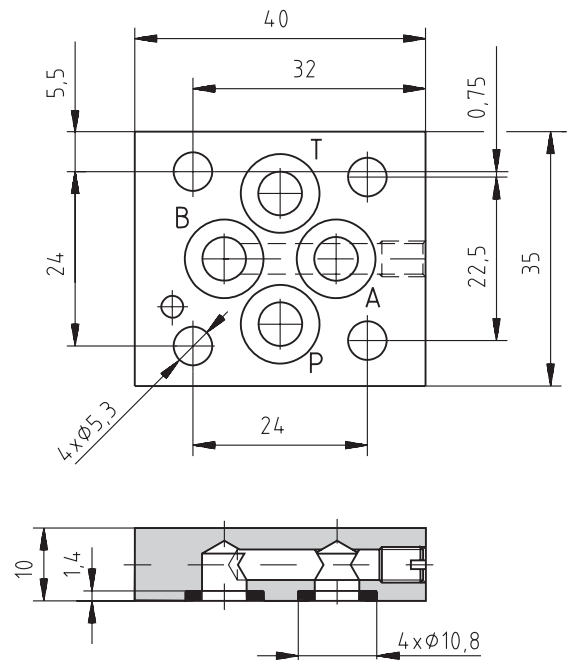
- Blanking plates - used mainly for covering the upper surface of the elements of the sandwich plate design when they are used separately
- The valve housing surface is phosphate coated

Blanking Plate DK1-04/32-1 Dimensions in mm

Used as universal blanking plate size 04.
Connects ports A and B.

Sealing rings	Weight of the plate	Ordering number of the plate
4 pcs. Square rings 7.65 x 1.68	0.10 kg	517-0033

Sealing rings are delivered with each plate
(quantity and dimensions see the table above).

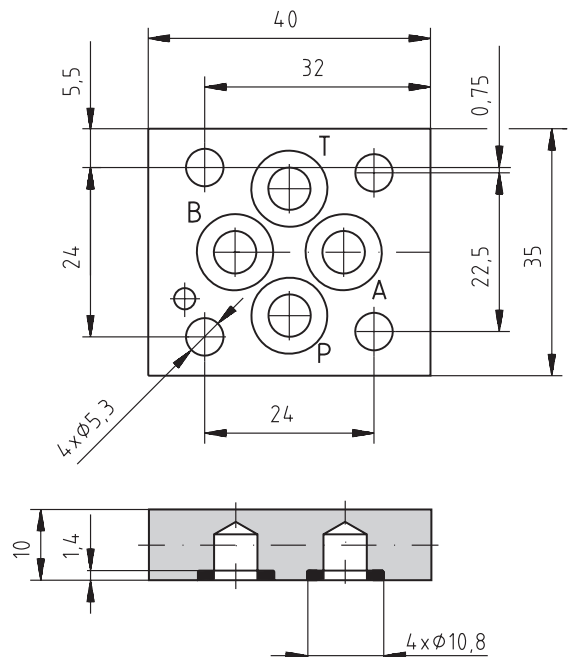


Blanking Plate DK1-04/32-2 Dimensions in mm

Used as universal blanking plate size 04.

Sealing rings	Weight of the plate	Ordering number of the plate
4 pcs. Square rings 7.65 x 1.68	0.10 kg	517-0032

Sealing rings are delivered with each plate
(quantity and dimensions see the table above).



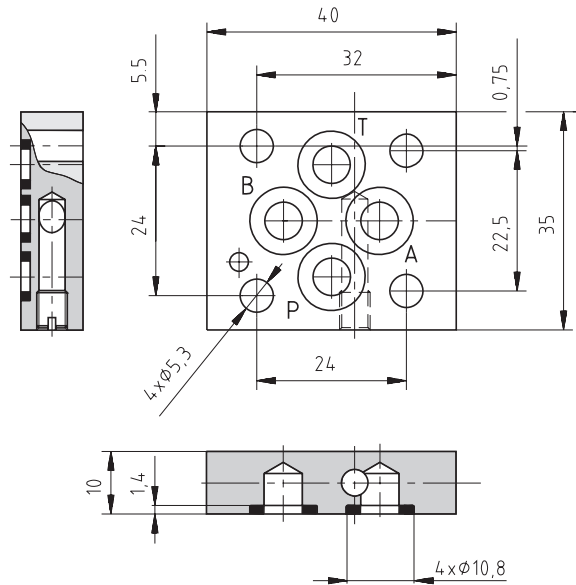
Blanking Plate DK1-04/32-3

Dimensions in mm

Used as universal blanking plate size 04.
Connects ports A and P.

Sealing rings	Weight of the plate	Ordering number of the plate
4 pcs. Square rings 7.65 x 1.68	0.10 kg	517-0031

Sealing rings are delivered with each plate
(quantity and dimensions see the table above).



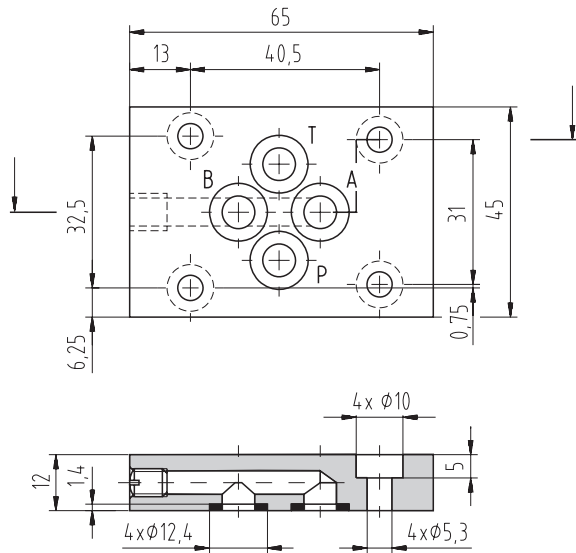
Blanking Plate DK1-06/32-1

Dimensions in mm

Used as universal blanking plate size 06.
Connects ports A and B

Sealing rings	Weight of the plate	Ordering number of the plate
4 pcs. Square rings 9.25 x 1.68	0.32 kg	525-0080

Sealing rings are delivered with each plate
(quantity and dimensions see the table above).



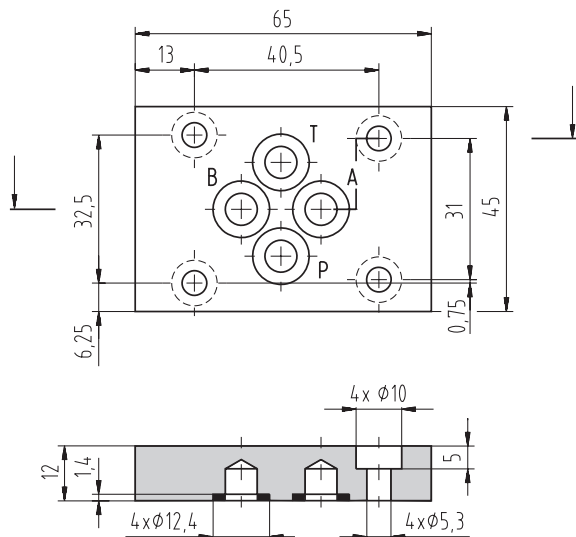
Blanking Plate DK1-06/32-2

Dimensions in mm

Used as universal blanking plate size 06.

Sealing rings	Weight of the plate	Ordering number of the plate
4 pcs. Square rings 9.25 x 1.68	0.32 kg	525-0081

Sealing rings are delivered with each plate
(quantity and dimensions see the table above).



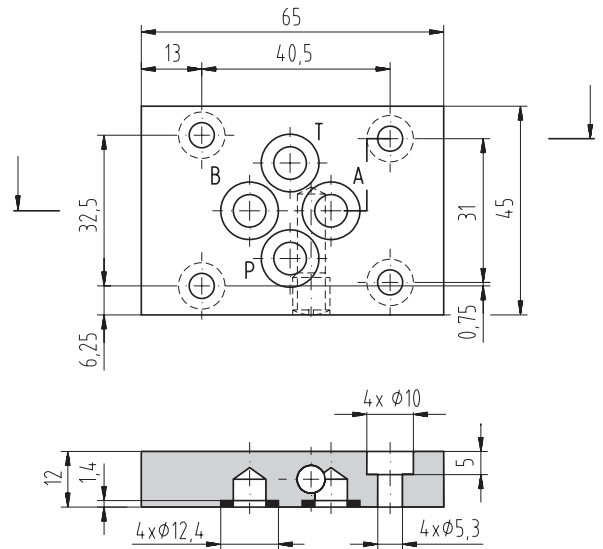
Blanking Plate DK1-06/32-3

Dimensions in mm

Used as universal blanking plate size 06.
Connects ports A and P.

Sealing rings	Weight of the plate	Ordering number of the plate
4 pcs. Square rings 9.25 x 1.68	0.32 kg	416-0010

Sealing rings are delivered with each plate
(quantity and dimensions see the table above).



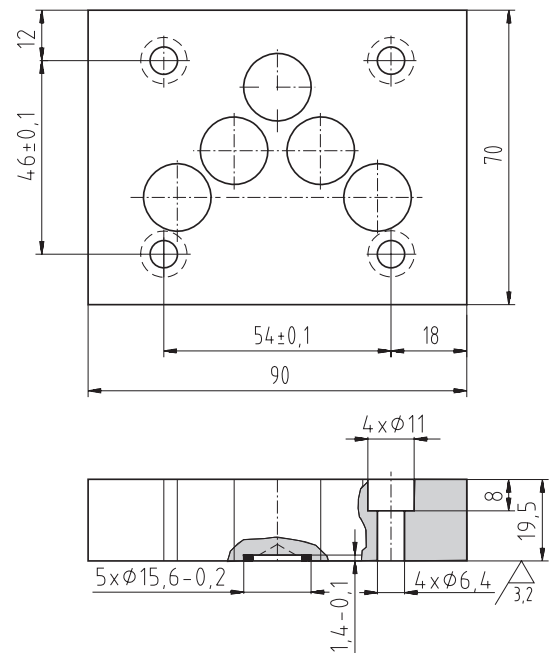
Blanking Plate DK1-10/32-2

Dimensions in mm

Used as universal blanking plate size 10.

Sealing rings	Weight of the plate	Ordering number of the plate
5 pcs. Square rings 12.42 x 1.68	1.00 kg	525-0131

Sealing rings are delivered with each plate
(quantity and dimensions see the table above).



Caution!

- The packing foil is recyclable.
- The technical information regarding the product presented in this catalogue is for descriptive purposes only. It should not be construed in any case as a guaranteed representation of the product properties in the sense of the law.

ARGO-HYTOS s.r.o. CZ - 543 15 Vrchlabí
Tel.: +420-499-403111, Fax: +420-499-403421
E-mail: sales.cz@argo-hytos.com
www.argo-hytos.com