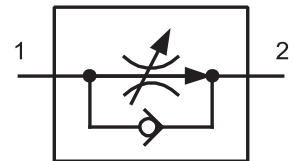


- Volumetric flow control independent to the load
- Volumetric flow control independent to the viscosity
- Large flow range



Functional Description

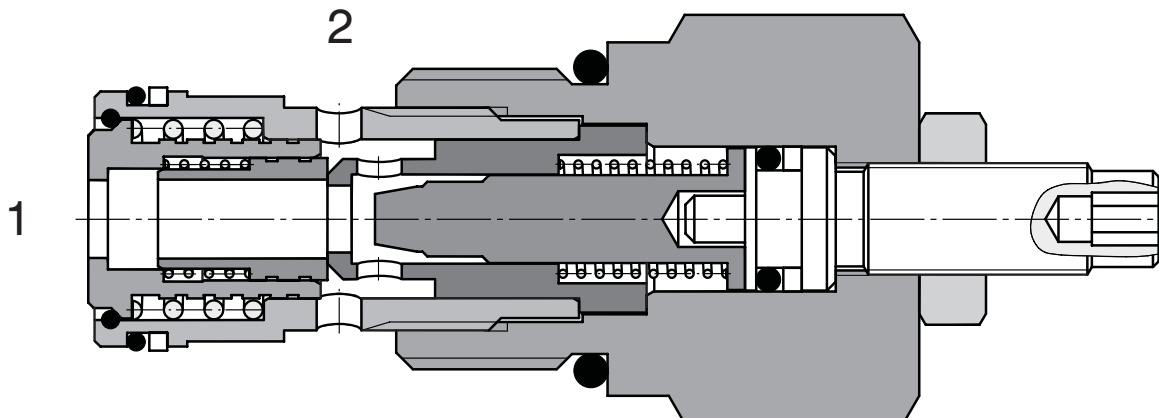
The valve consists of an adjustable measuring orifice plate after which it is installed a stabilizer of pressure drop and of an by-pass unidirectional valve formed by a bushing of the stabilizer gate valve fitted with a seat on the front surface.

During the flow from (1) to (2) the liquid flows through the centre of the stabilizer gate valve and applies pressure at the same time to the gate valve of the unidirectional valve to press it in the seat and then continues to flow through the throttling cross section to the side channel (2). The stabilizer has been designed to serve for maintaining a pressure difference arisen in front of the measuring orifice plate and after the measuring orifice plate at a constant level of approximately of 1.2 MPa given by the spring force so as to ensure a constant

rate of flow through the channel (2). The pressure in front of the throttling orifice plate acts to the side part of the stabilizer gate valve and the pressure in the channel (2) acts to back side of the stabilizer gate valve. Due to permanent equalizing the forces the position of the stabilizer gate valve changes with each change of pressure before and after the measuring orifice plate and in this way it results in appropriate decreasing or eventually appropriate increasing the flow cross section in the channel (2).

In the direction from (2) to (1) the liquid flows through the unidirectional valve with a small pressure drop.

As for appropriate basic surface finish the external parts are zinc coated.



Ordering Code

SF2C2A-K2/I

2 way flow control valve
with free flow check valve

Adjustable flow range

4 - 40 L/min

6 - 60 L/min

4

6

no designation

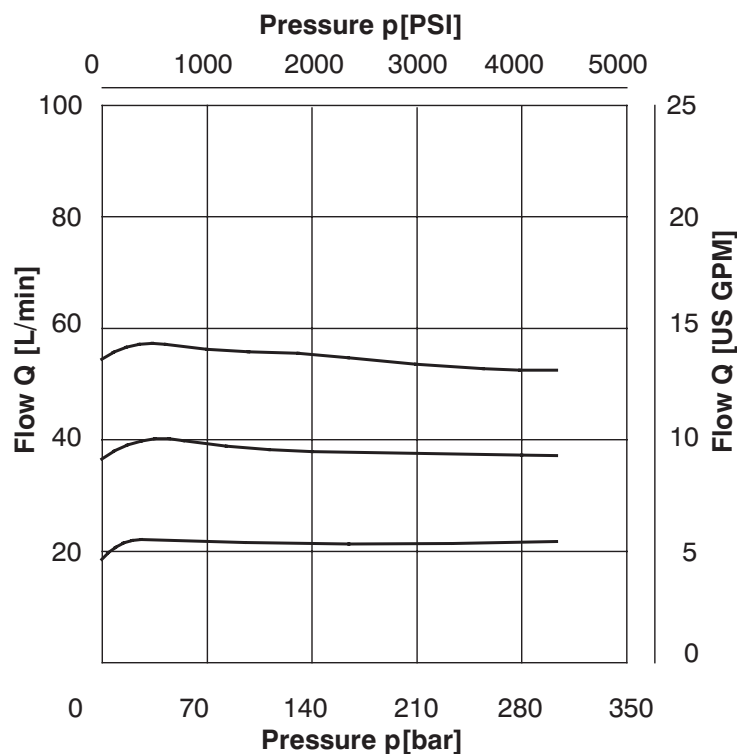
Seals
NBR

Technical Data

Cavity		M27 x 2
Adjustment range	L/min	4 - 60
Max. pressure	bar	350
Hydraulic fluid		Hydraulic oil (HM, HV) according to DIN 51524
Fluid temperature range	°C	-20 ... +90
Viscosity	mm ² /s	20 ... 400
Maximum degree of fluid contamination		According to ISO 4406 (1999), Class 21/18/15
Weight	kg	0.29
Maximum valve tightening torque in valve body or in control block	Nm	75 ⁺²
Mounting position		any

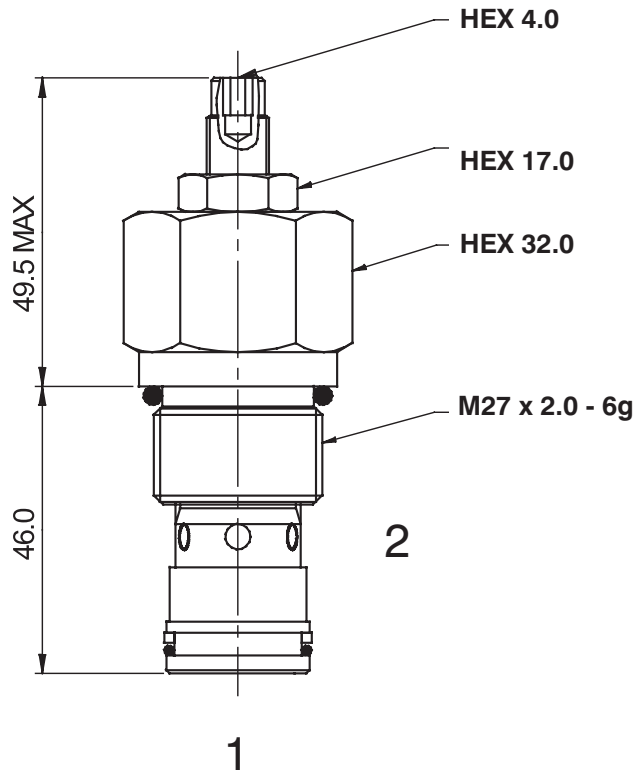
p-Q Characteristics

Measured at $\nu = 40 \text{ mm}^2/\text{s}$



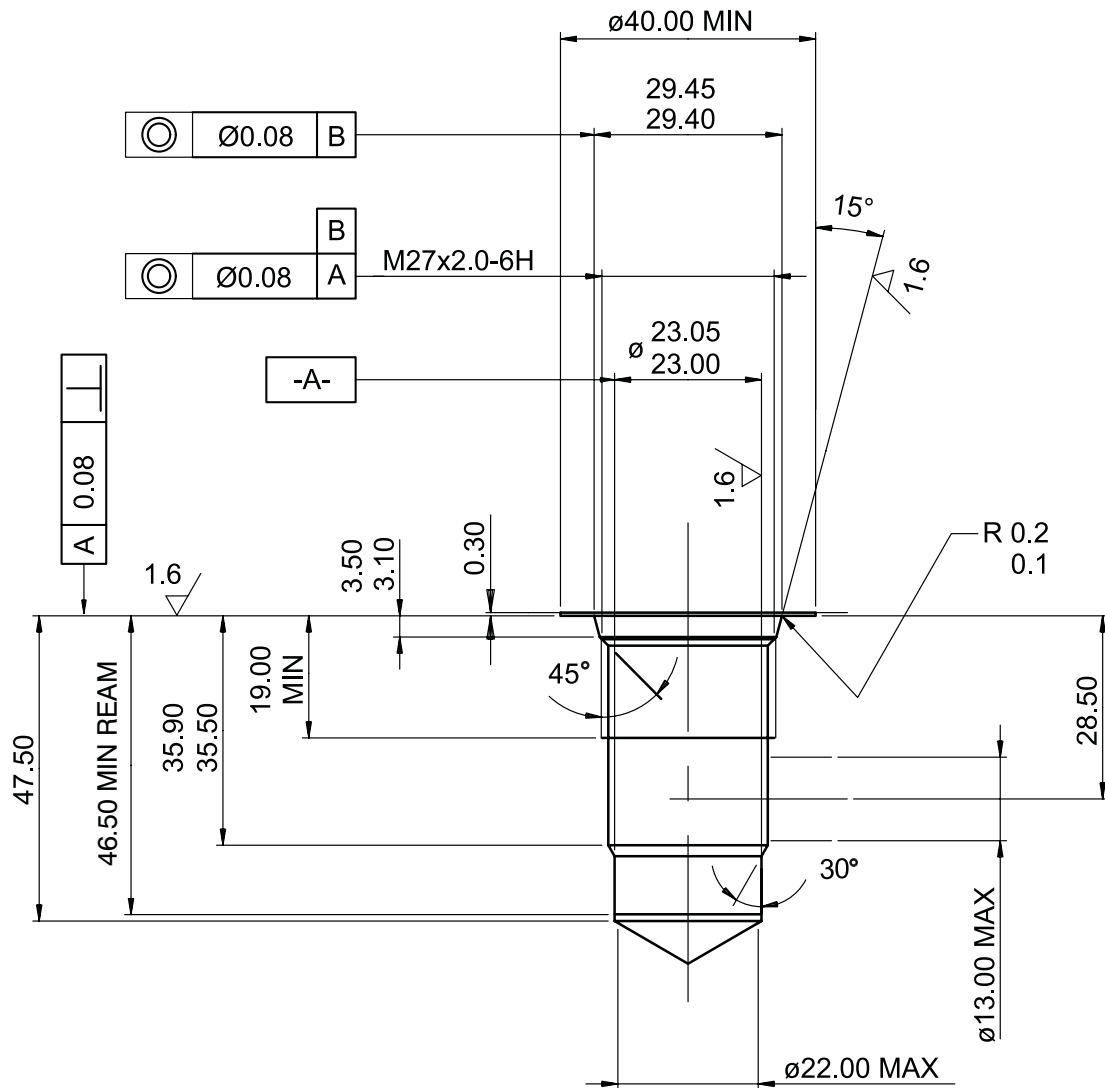
Dimensions

Measurements in millimeters



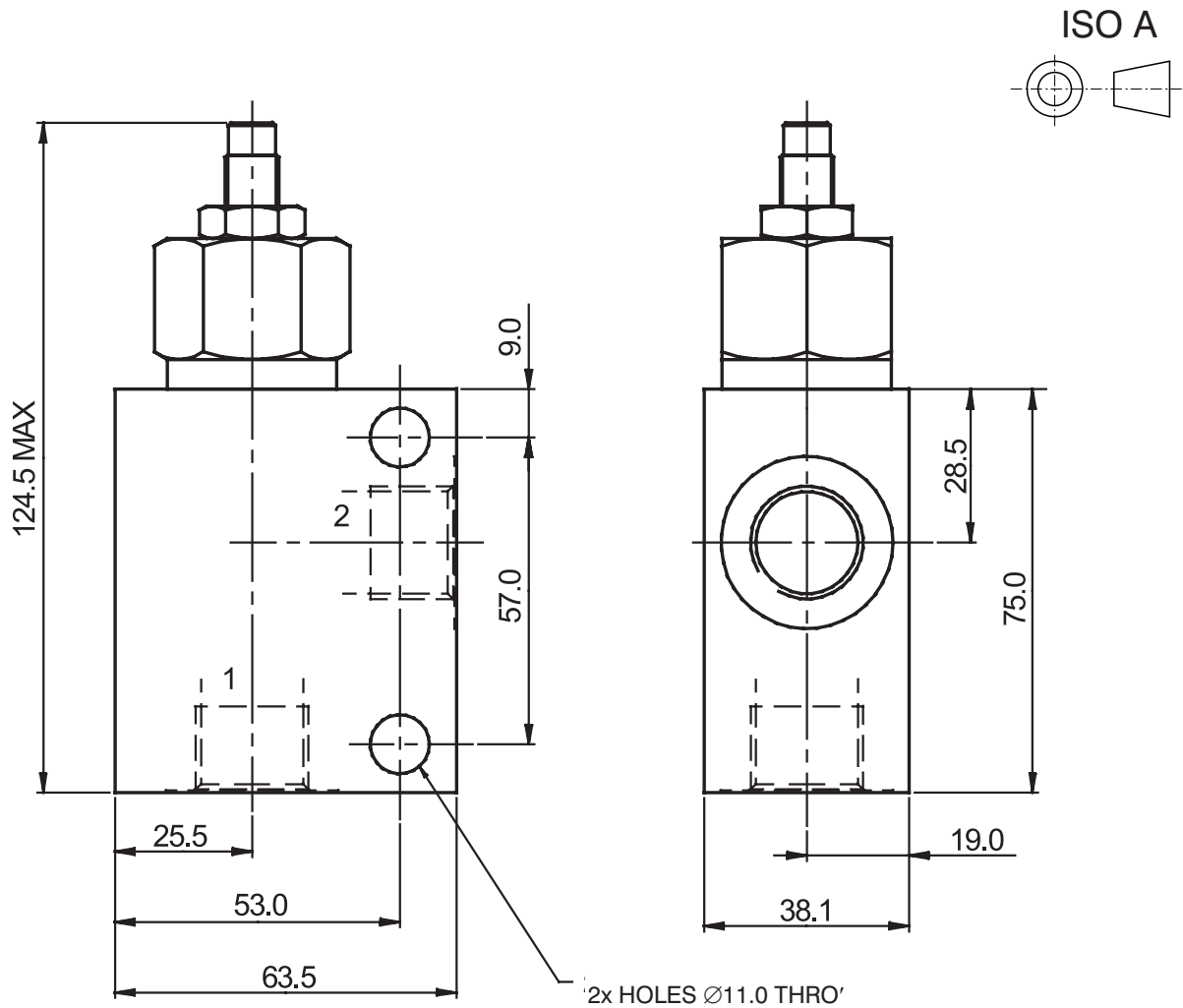
Cavity

Measurements in millimeters



Valve Bodies

Measurements in millimeters



Body without valve			
Material	Ports	Port size	Type code
Aluminium	1, 2	G1/2	SB-K2-0105AL
	1, 2	SAE 10, 7/8-14	SB-K2-0106AL
Steel	1, 2	G1/2	SB-K2-0105ST
	1, 2	SAE 10, 7/8-14	SB-K2-0106ST

The use of aluminium bodies is limited to a maximum operating pressure of 210 bar.

Spare Parts

Seal kits on request.

Caution!

- The packing foil is recyclable.
- The technical information regarding the product presented in this catalogue is for descriptive purposes only. It should not be construed in any case as a guaranteed representation of the product properties in the sense of the law.

ARGO-HYTOS s.r.o. CZ - 543 15 Vrchlabí
 Tel.: +420-499-403111, Fax: +420-499-403421
 E-mail: sales.cz@argo-hytos.com
 www.argo-hytos.com