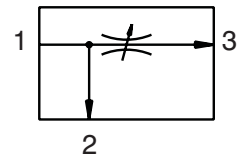


- Priority style
- Constant flow largely independent to load and viscosity
- Port 2 can be pressurized
- Various flow ranges available



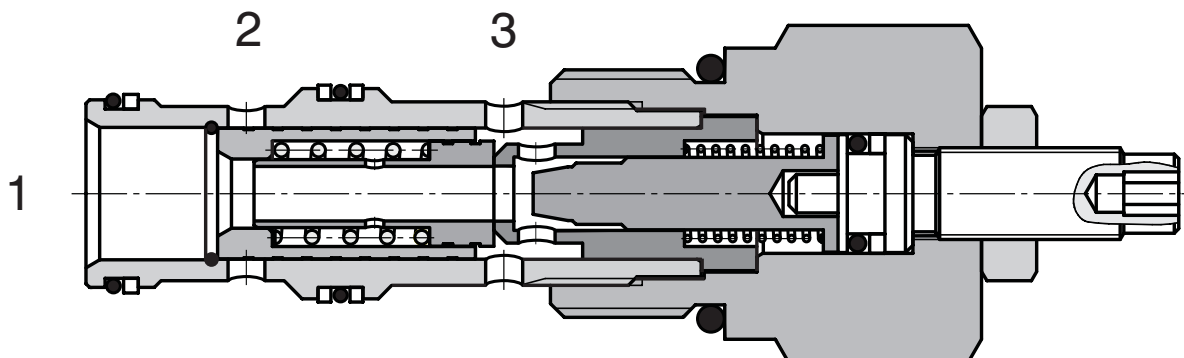
Functional Description

The valve consists of an adjustable measuring orifice plate after which it is installed a stabilizer of pressure drop. During the flow from (1) to (3) the liquid flows through the centre of the stabilizer slide valve and then through radial orifices to the side channel (3). The stabilizer has been designed to serve for maintaining a pressure difference arisen on the measuring orifice plate at a constant level of approximately of 12 bar given by the spring force so as to ensure a constant rate of flow through the channel (3). The excessive flow of the liquid cause a dynamic pressure in channel (1) by means of which the slide valve of the stabilizer is shifted against the spring and opens the flow cross section to the channel (2) through which the excessive liquid flows out either to the drain or to another consumer. The channel (2) can be loaded by

pressure. Due to permanent equalizing the forces the position of the stabilizer gate valve changes with each change of pressure before and after the measuring orifice plate and in this way it results in appropriate decreasing or eventually appropriate increasing the flow cross section of channels.

The liquid can flow through the valve also in opposite direction from (3) to (1), however, in a limited extent taking into consideration the fact that the liquid shall flow through the throttling cross section.

As for appropriate basic surface finish the external parts are zinc coated.



Ordering Code

SF32A-K3/I

3 Way Flow Control Valve

no designation

Seals
NBR

Adjustable flow range

4 - 40 L/min

4

6 - 60 L/min

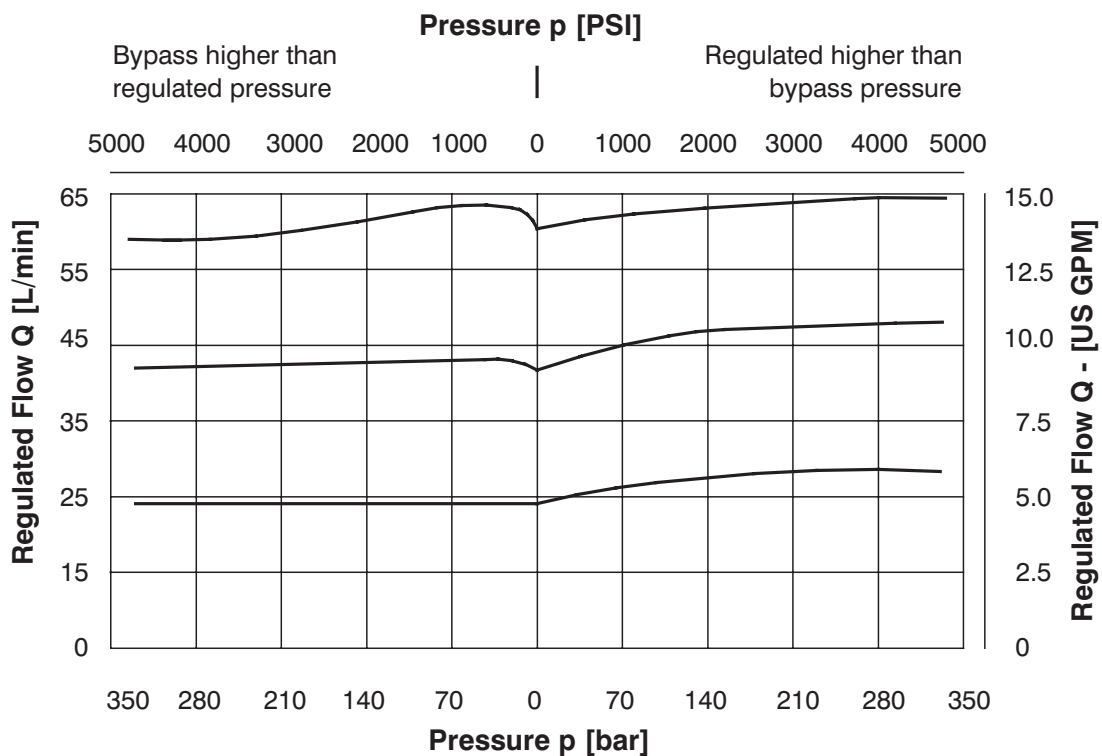
6

Technical Data

Cavity		M27 x 2
Adjustment range	L/min	4 - 60
Max. pressure	bar	350
Hydraulic fluid		Hydraulic oil (HM, HV) according to DIN 51524
Fluid temperature range	°C	-20 ... +90
Viscosity	mm ² /s	20 ... 400
Maximum degree of fluid contamination		According to ISO 4406 (1999), Class 21/18/15
Weight	kg	0.16
Maximum valve tightening torque in valve body or in control block	Nm	75 ⁺²
Mounting position		any

p-Q Characteristics

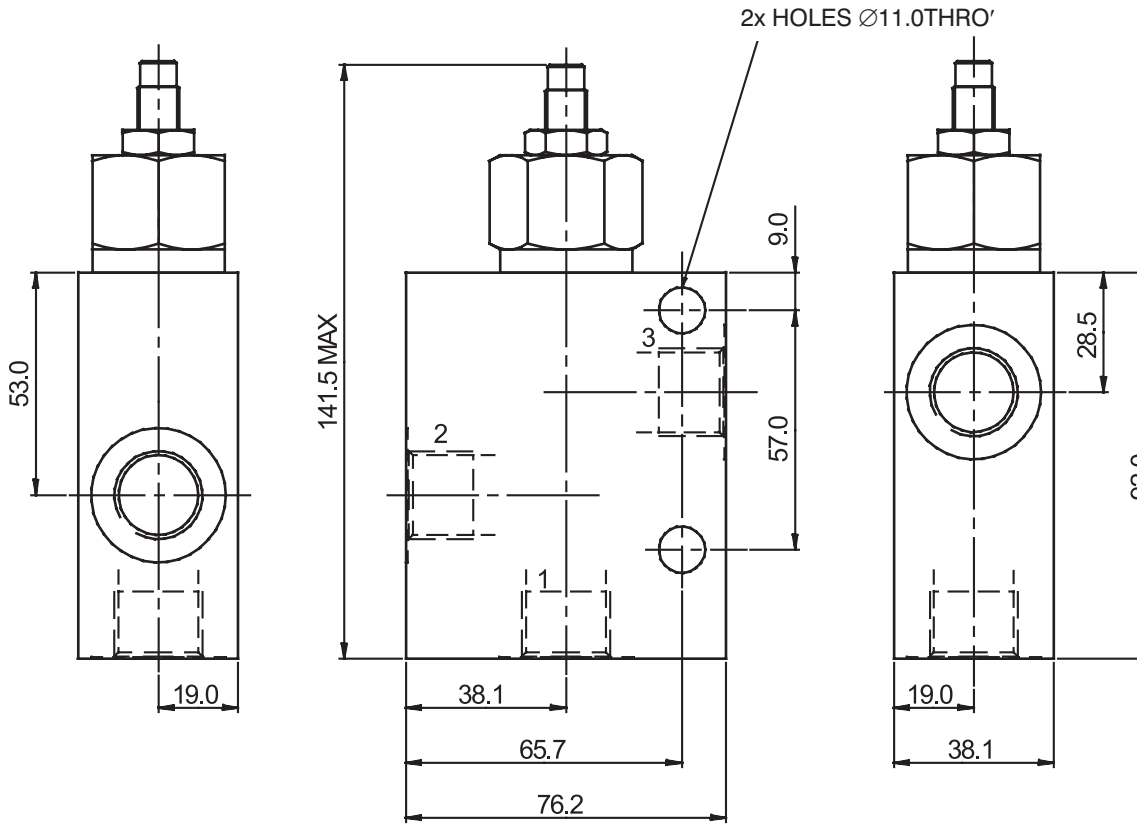
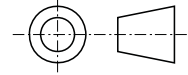
Measured at $v = 40 \text{ mm}^2/\text{s}$



Valve Bodies

Measurements in millimeters

ISO A



Body without valve			
Material	Ports	Port size	Type code
Aluminium	1, 2, 3	G1/2	SB-K3-0105AL
	1, 2, 3	SAE 10, 7/8-14	SB-K3-0106AL
Steel	1, 2, 3	G1/2	SB-K3-0105ST
	1, 2, 3	SAE 10, 7/8-14	SB-K3-0106ST

The use of aluminium bodies is limited to a maximum operating pressure of 210 bar.

Spare Parts

Seal kits on request.

Caution!

- The packing foil is recyclable.
- The technical information regarding the product presented in this catalogue is for descriptive purposes only. It should not be construed in any case as a guaranteed representation of the product properties in the sense of the law.

ARGO-HYTOS s.r.o. CZ - 543 15 Vrchlaví
 Tel.: +420-499-403111, Fax: +420-499-403421
 E-mail: sales.cz@argo-hytos.com
 www.argo-hytos.com