

- Poppet design
- Leakfree closure in one direction
- Four cracking pressures



Functional Description

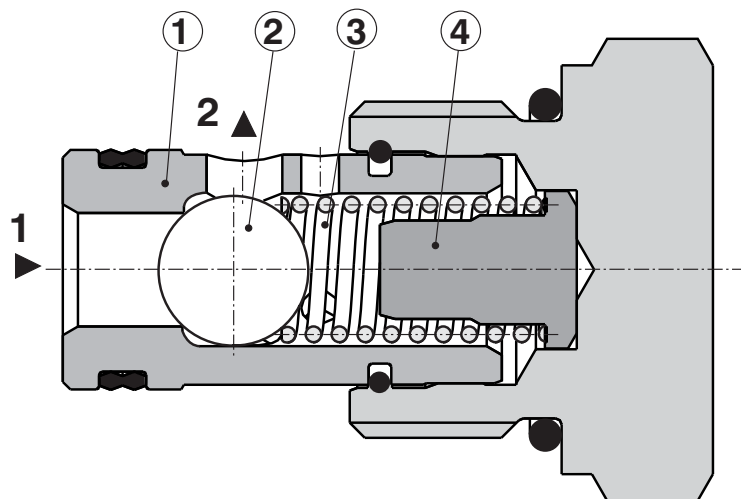
The check valve serves the leak free closure in one direction and allows flow in the opposite direction. The poppet design provides leak free closure.

The seat is created directly in the valve housing (1) and the small ball (2) is pushed by spring (3) through the thumb ring (4)* onto the seat. The cracking pressure depends on the spring selected, its preloading and the

pressurized poppet surface area. Four* cracking pressures are available.

The surface of the valve housing is zinc coated.

* With the High performance valve



Ordering Code

SC1F-B2 /

no designation
V

Seals

Standard (NBR)
Viton (FPM)

Check valves

Cracking pressure

0,5 bar (7.2 PSI)
1,5 bar (21.7 PSI)
3,5 bar (50.7 PSI)
5,0 bar (71,5 PSI)
7,0 bar (101.5 PSI)

High performance

H

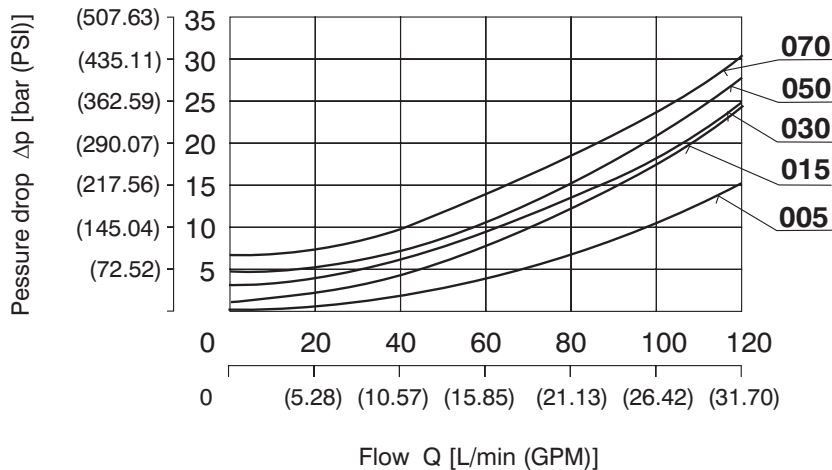
005
015
035
050
070

Technical Data

		High performance
Cartridge thread		7/8 14UNF - 2B
Maximum flow rate	L/min (GPM)	120 (31.7)
Max. operating pressure	bar (PSI)	420 (6091)
Cracking pressure	bar (PSI)	0,5 (7.2) 1,5 (21.7) 3,5 (50.7) 5,0 (71.5) 7,0 (101.5)
Hydraulic fluid		Hydraulic oils of power classes (HL, HLP) to DIN 51524
Fluid temperature range (NBR)	°C (°F)	-30 ... +100 (-22 ... +212)
Fluid temperature range (Viton)	°C (°F)	-20 ... +120 (-4 ... +248)
Viscosity range	mm ² /s (SUS)	10 ... 500 (49 ... 2450)
Maximum degree of fluid contamination		Class 21/18/15 according to ISO 4406 (1999)
Maximum valve tightening torque	Nm (lbf.ft)	60 (44.25)
Weight	kg (lbs)	0,1
Mounting position		optional

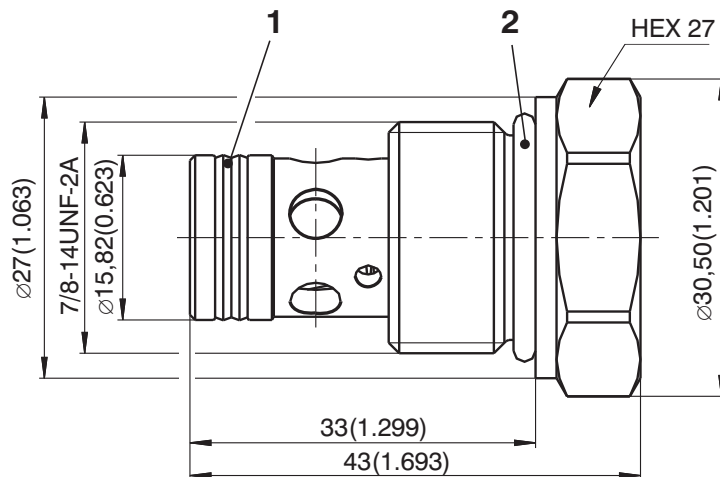
Δp-Q Characteristics

Measured at $v = 32 \text{ mm}^2/\text{s}$ (156 SUS)



Valve Dimensions

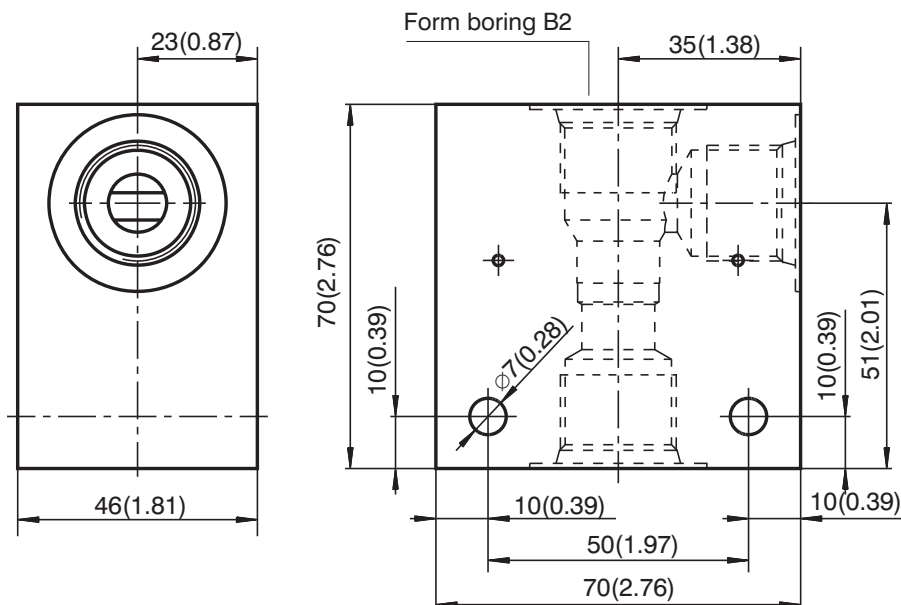
Dimensions in millimeters (inches)



- 1 Combined sealing:
 DRYZ000002Z20 13,47 x 15,87 x 3,1 (supplied with valve)
 2 O-ring 19,4 x 2,1 (supplied with valve)

Body with Valve

Dimensions in millimeters (inches)



Body material	Connecting size	Type code	Operating pressures
Steel	G3/8	SB-B2-0103ST	420 bar (6091 PSI)
Steel	SAE 6	SB-B2-0102ST	420 bar (6091 PSI)
Aluminium	G3/8	SB-B2-0103AL	250 bar (3626 PSI)
Aluminium	SAE 6	SB-B2-0102AL	250 bar (3626 PSI)

Note:

- For detailed valve body ordering code refer to the data sheet HA 0018.

