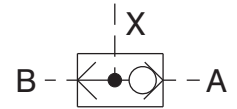


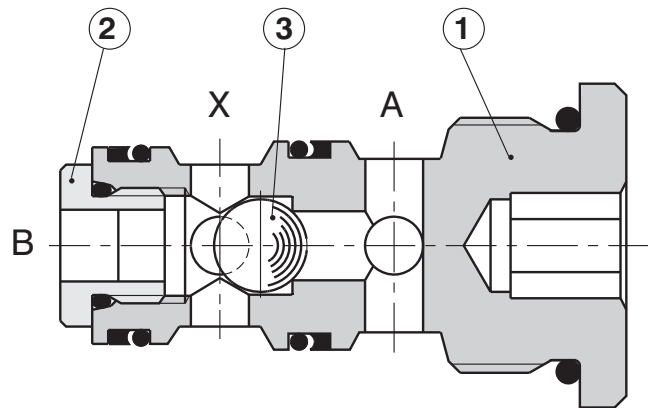
Size 06 (D03) • p_{max} up to 320 bar (4641PSI) • Q_{max} up to 40L/min (10.57GPM)

- Ball-valve
- Poppet design
- Comparing and transmitting a pressure signal

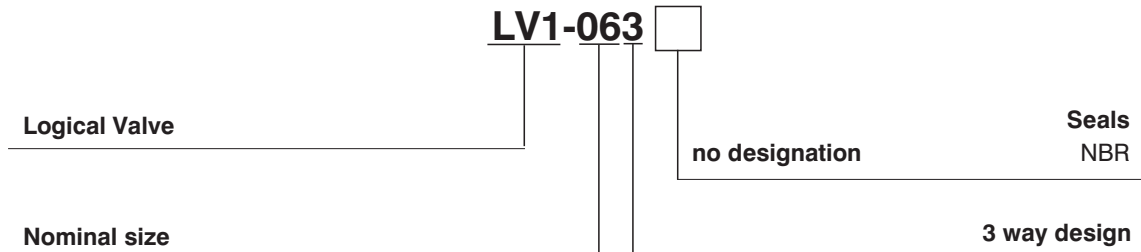


Functional Description

LV1-063 is 3 way poppet valve consists of the valve housing (1), the seat (3) and the ball (2). It connects the users B or A with X according to the size of the control signal in these ports.



Ordering Code



Technical Data

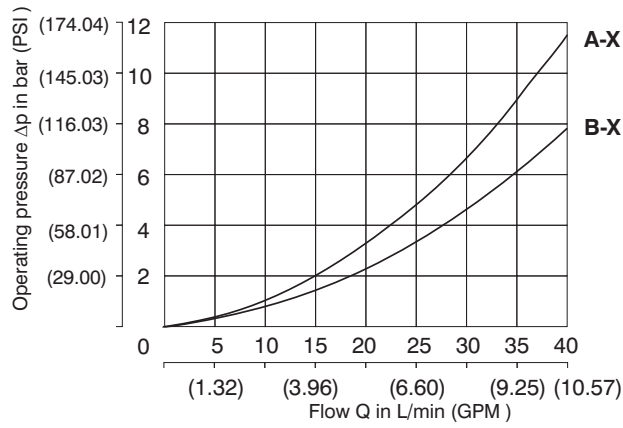
Nominal size	mm (US)	06 (D 03)
Maximum flow rate	L/min (GPM)	40 (10.57)
Maximum working pressure	bar (PSI)	320 (4641)
Fluid temperature range (NBR)	°F (°C)	-30 ... +100 (-22 ... +212)
Viscosity range	SUS (mm ² /s)	20 ... 400 (98 ... 1840)
Hydraulic fluid		Hydraulic oils of power classes (HL, HLP) to DIN 51524
Maximum degree of fluid contamination		Class 21/18/15 to ISO 4406 (1999)
Mounting position		optional
Weight	kg(lb)	0,078 (0.41)

Spare Parts

Seal kit			
Type	Dimensions, quantity		Ordering number
	O-ring	Back-up ring	
Standard - NBR	14 x 1.78 NBR 90 (2 pc.)	BBP80B015-N9 14.73 x 17.43 x 1.14 (2 pc.)	531-9007
	19.4 x 2.1 NBR 80 (1 pc.)	-	

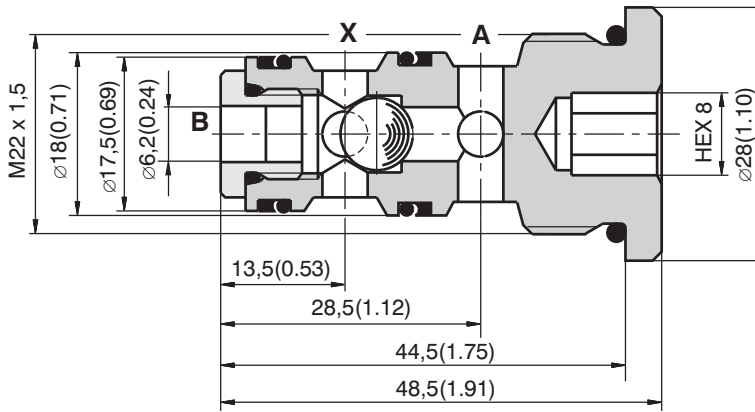
Δp-Q Characteristics

Measured at $v = 32 \text{ mm}^2/\text{s}$ (156 SUS)

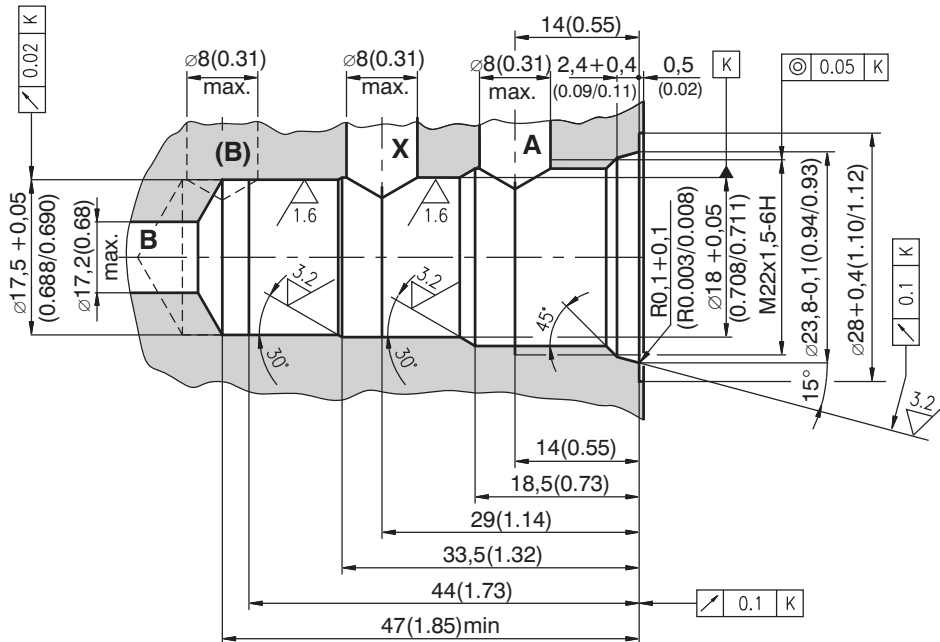


Valve Dimensions

Dimensions in inches and millimeters (in brackets)



Cavity



Caution!

- The packing foil is recyclable.
- Tightening torque 30 Nm.
- The technical information regarding the product presented in this catalogue is for descriptive purposes only. It should not be construed in any case as a guaranteed representation of the product properties in the sense of the law.

ARGO-HYTOS s.r.o. CZ - 543 15 Vrchlabí
 Tel.: +420-499-403111, Fax: +420-499-403421
 E-mail: sales.cz@argo-hytos.com
 www.argo-hytos.com