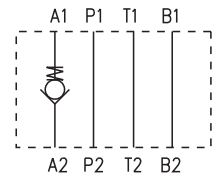


- Sandwich plate design for use in vertical stacking assemblies
- Poppet design
- Leakfree closure in one or two service ports
- 8 different models
- Installation dimensions to ISO 4401 / DIN 24 340

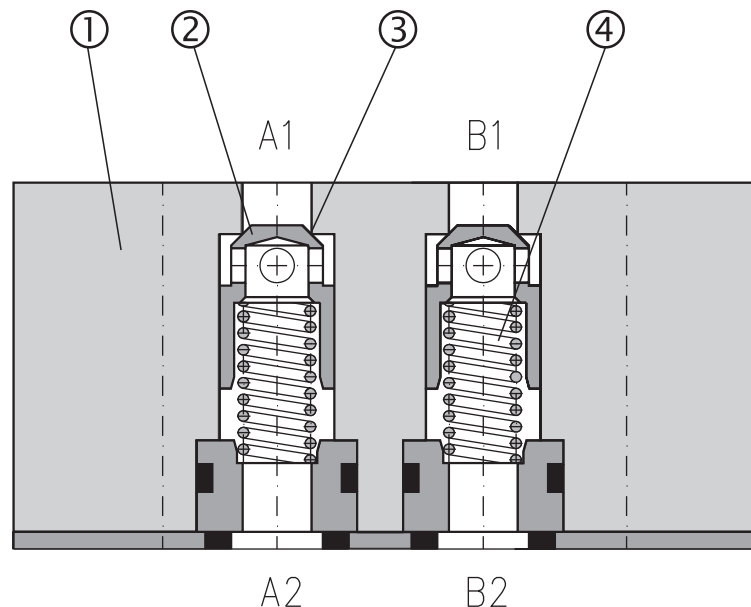


Functional Description

The check valve sandwich plates are used to allow flow in one direction and prevent flow in the other one. The sandwich design enables vertical stacking with other components of the same size. The check elements can be built into one or two ports, the other ports being through-holes.

The seat (3) is machined directly in the housing (1) and the poppet (2) is pushed onto the seat by compression spring (4). The cracking pressure depends on the spring used, on its preload and on the pressurized poppet surface area.

The valve housing surface is phosphate coated.



Ordering Code

MVJ2-06 - -1

**Sandwich Check Valve Plate
for Stacking Assemblies**

Nominal size

Seals
no designation
V
NBR
FPM (Viton)

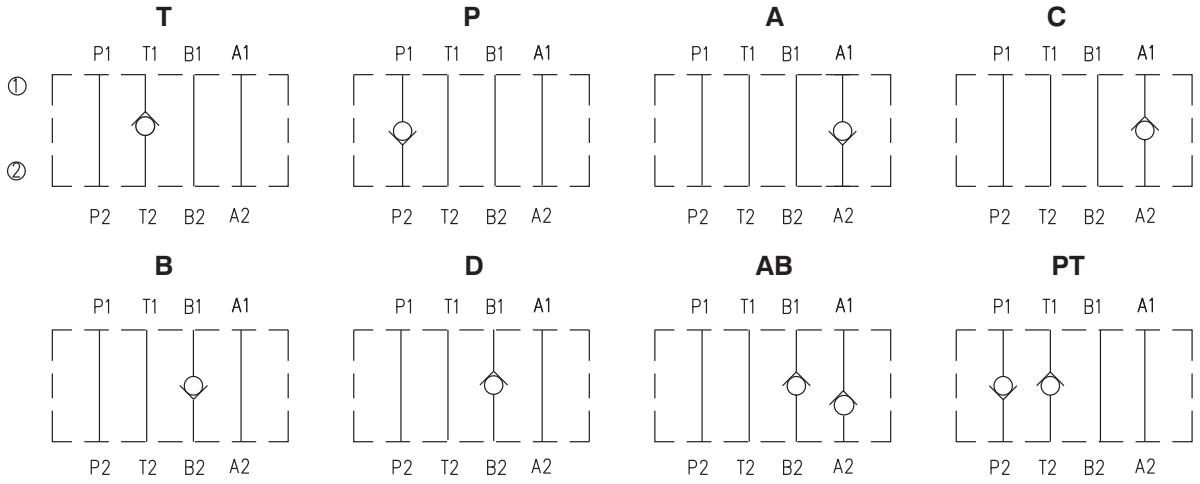
Cracking pressure
005
0.5 bar

T
P
A
C
B
D
AB
PT

Functional Symbols
Check valve in line T*
Check valve in line P*
Check valve in line A*
Check valve in line A*
Check valve in line B*
Check valve in line B*
Check valves in lines B and A*
Check valves in lines P and T*
* see the table Functional symbols

**FOR PREFERRED TYPES SEE BOLD TYPING IN ORDERING CODE
AND TABLE OF PREFERRED TYPES ON PAGE 4**

Functional Symbols



Notes: The orientation of the symbol on the name plate corresponds with the valve function. ① valve side ② subplate or manifold side

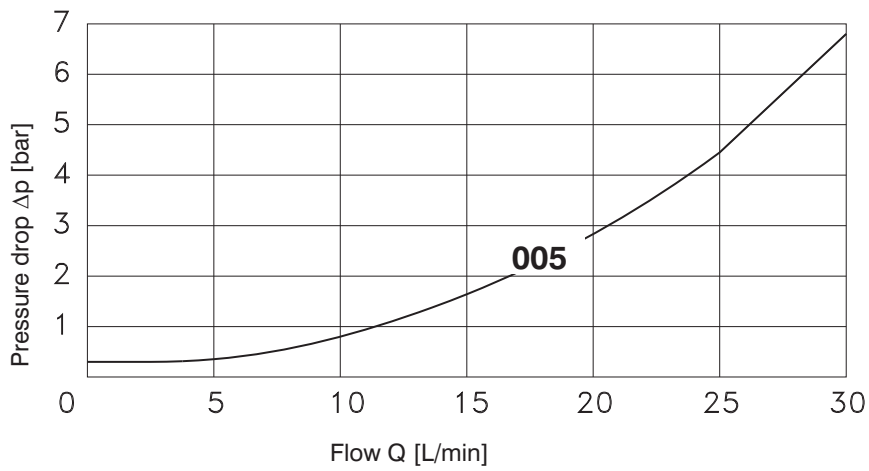
Technical Data

Nominal size	mm	06
Maximal flow rate	L/min	30
Maximum operating pressure	bar	320
Cracking pressure	bar	0.5
Hydraulic fluid	Hydraulic oils of power classes (HL, HLP) to DIN 51524	
Fluid temperature range (NBR)	°C	-30 ... +100
Fluid temperature range (FPM)	°C	-20 ... +120
Viscosity range	mm ² /s	20 ... 400
Maximum degree of fluid contamination	Class 21/18/15 to ISO 4406 (1999).	
Weight	kg	0.8
Mounting position	optional	

Δp-Q Characteristics

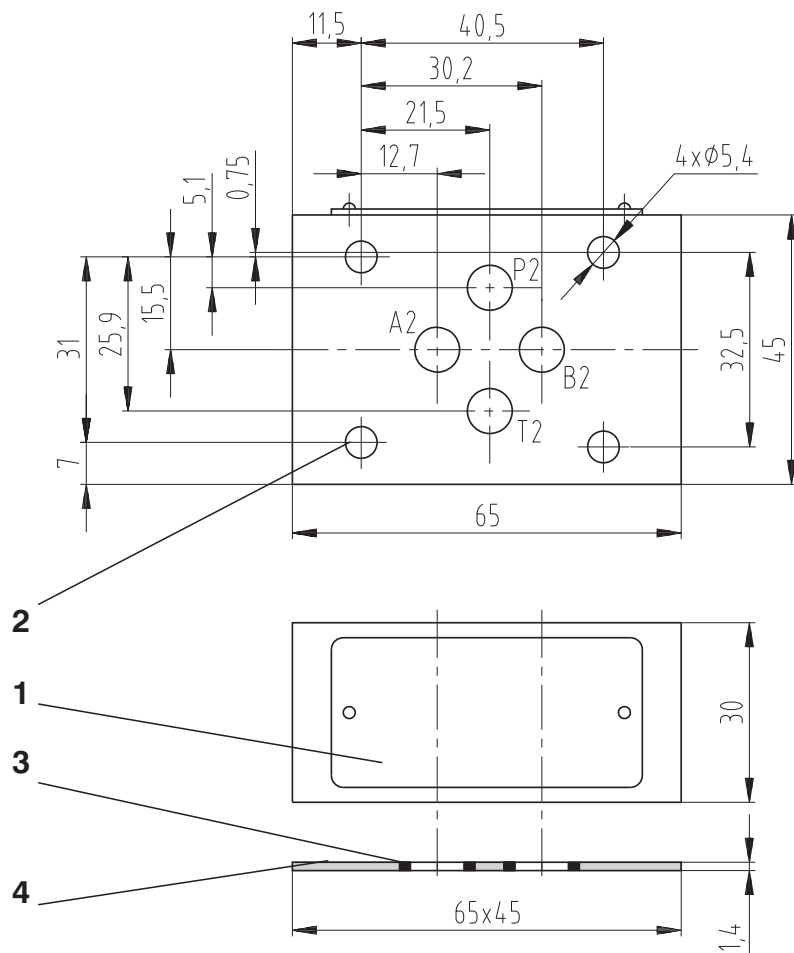
Measured at $v = 32 \text{ mm}^2/\text{s}$

Pressure drop Δp related to flow rate.

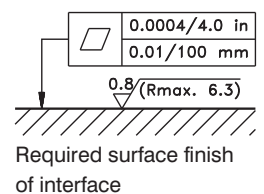


Valve Dimensions

Dimensions in millimetres



- 1 Name plate
- 2 4 mounting through-holes
- 3 Square ring 9.25x1.68 (4 pcs.)
supplied with valve
- 4 Square-ring plate
supplied with valve



Spare Parts

Seal kit			
Type	Dimensions, quantity		Ordering number
	O-ring	Square ring	
Standard NBR70	10 x 1.8 (2 pcs.)	9.25 x 1.68 (4 pcs.)	530-0198
Viton	9.75 x 1.78 (2 pcs.)	9.25 x 1.78 (4 pcs.)	530-0202

Preferred Types of Valves

Type	Ordering Number
MVJ2-06/P-005-1	530-0049

Caution!

- The packing foil is recyclable.
- The protective plate can be returned to manufacturer.
- Mounting bolts M5 must be ordered separately. Tightening torque of the bolts is 8.9 Nm.
- The technical information regarding the product presented in this catalogue is for descriptive purposes only. It should not be construed in any case as a guaranteed representation of the product properties in the sense of the law.

ARGO-HYTOS s.r.o. CZ - 543 15 Vrchlaví
 Tel.: +420-499-403111, Fax: +420-499-403421
 E-mail: sales.cz@argo-hytos.com
 www.argo-hytos.com