

- Standard and High performance variant
- Poppet design
- Leakfree closure in one direction
- Four cracking pressures



Functional Description

The check valve serves the leak free closure in one direction and allows flow in the opposite direction. The poppet design provides leak free closure.

The seat is created directly in the valve housing (1) and the small ball (2) is pushed by spring (3) through the thumb ring (4)* onto the seat. The cracking pressure depends on the spring selected, its preloading and the

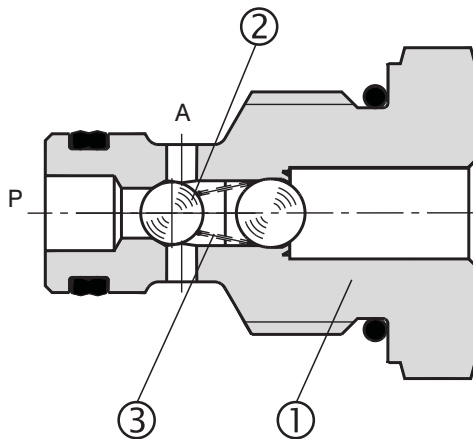
pressurized poppet surface area. Four* cracking pressures are available.

The surface of the valve housing is zinc coated.

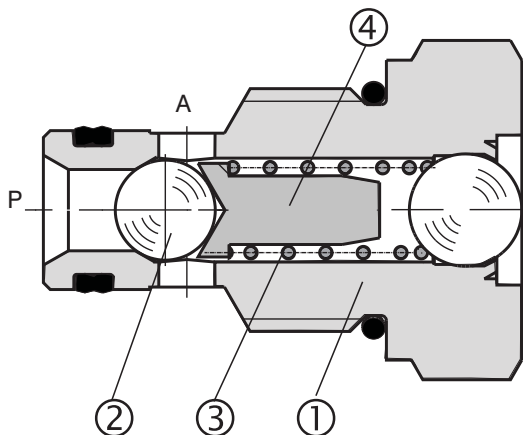
* With the High performance valve

Cartridge Valve

Standard performance



High performance



Ordering Code

SC1F-A2 /

Check valves

Standard
High performance

S
H

no designation
V

Seals

NBR
FPM (Viton)

Cracking pressure

0.5 bar (7.2 PSI)
1.5 bar (21.7 PSI)
3.5 bar (50.7 PSI)
7.0 bar (101.5 PSI)

***005**
015
035
070

* The cracking pressure with a standard valve is 0.5 bar (7.25 PSI)

Technical Data

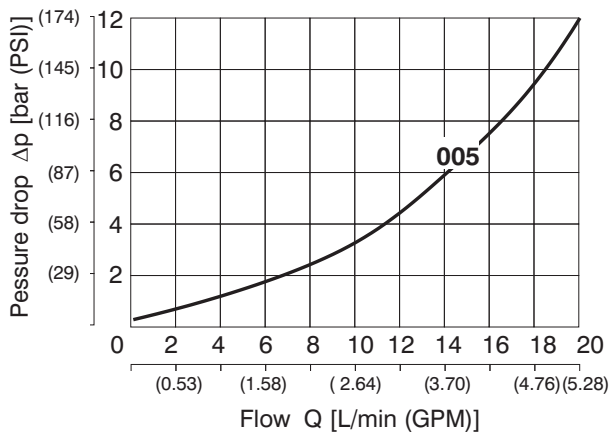
		Standard	High performance
Cartridge thread		3/4 16UNF - 2B	
Maximum flow rate	L/min (GPM)	20 (5.3)	40 (10.6)
Max. operating pressure	bar (PSI)	350 (5076)	420 (6091)
Cracking pressure	bar (PSI)	0,5* 1,5	3,5 7,0
Hydraulic fluid		Hydraulic oils of power classes (HL, HLP) to DIN 51524	
Fluid temperature range (NBR)	°C (°F)	-30 +100 (-22 ... +212)	
Fluid temperature range (Viton)	°C (°F)	-20 +120 (-4 ... +248)	
Viscosity range	mm ² /s (SUS)	10 ... 500 (49 ... 2450)	
Maximum degree of fluid contamination		Class 21/18/15 according to ISO 4406 (1999)	
Maximum valve tightening torque	Nm (lbf.ft)	30+2	
Maximum plastic nut tightening torque	Nm (lbf.ft)	4+2	
Weight	kg(lbs)	0,05	0,06
Mounting position		optional	

* The cracking pressure with a standard valve is 0.5 bar (7.25 PSI)

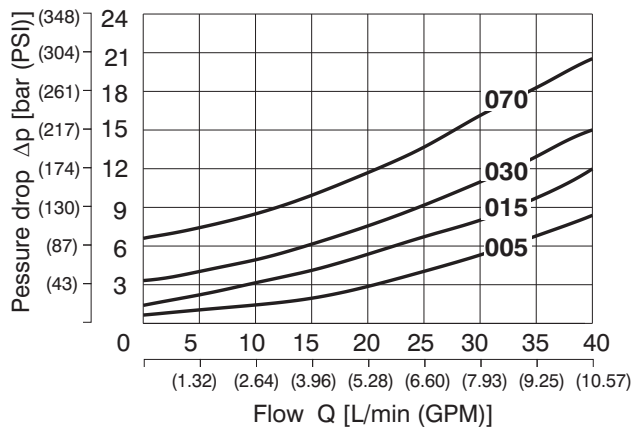
Δp-Q Characteristics

Measured at v = 32 mm²/s (156 SUS)

Standard valve

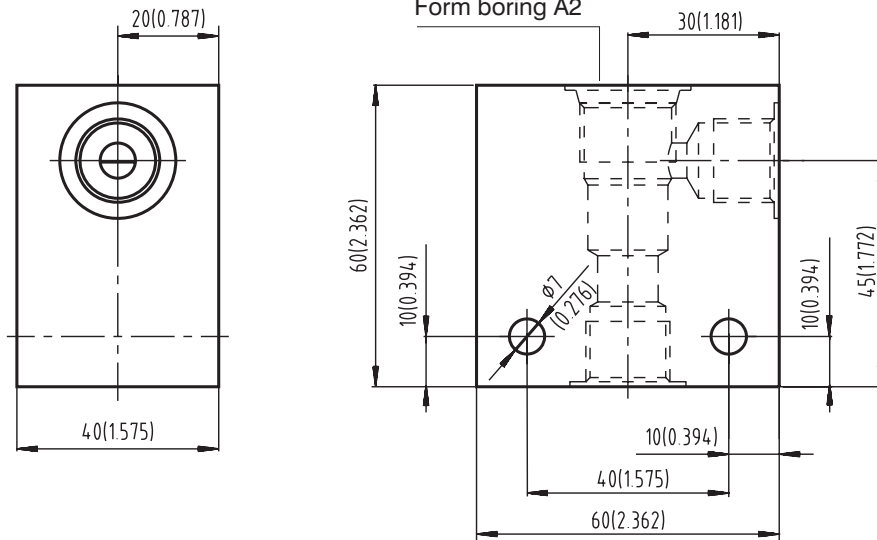


High performance valve



Body with Valve

Dimensions in millimeters (inches)



Body material	Connecting size	Type code	Operating pressures
Steel	G3/8	SB-A2-0103ST	420 bar (6091 PSI)
Steel	SAE 6	SB-A2-0102ST	420 bar (6091 PSI)
Aluminium	G3/8	SB-A2-0103AL	250 bar (3626 PSI)
Aluminium	SAE 6	SB-A2-0102AL	250 bar (3626 PSI)

Note:

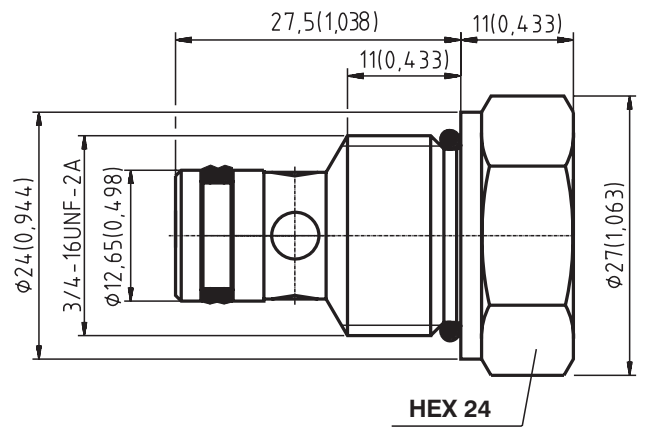
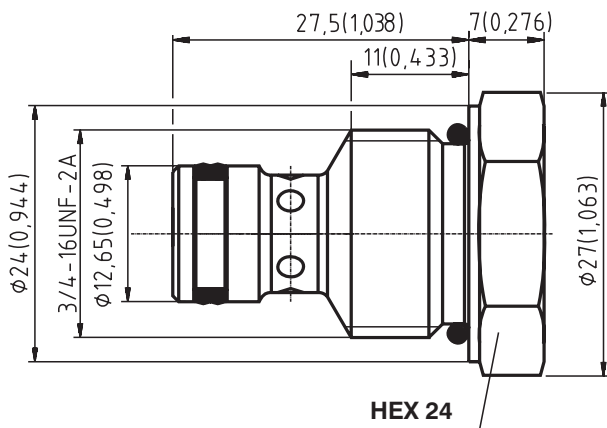
- For detailed valve body ordering code refer to the data sheet HA 0018.

Valve Dimensions

Dimensions in millimeters (inches)

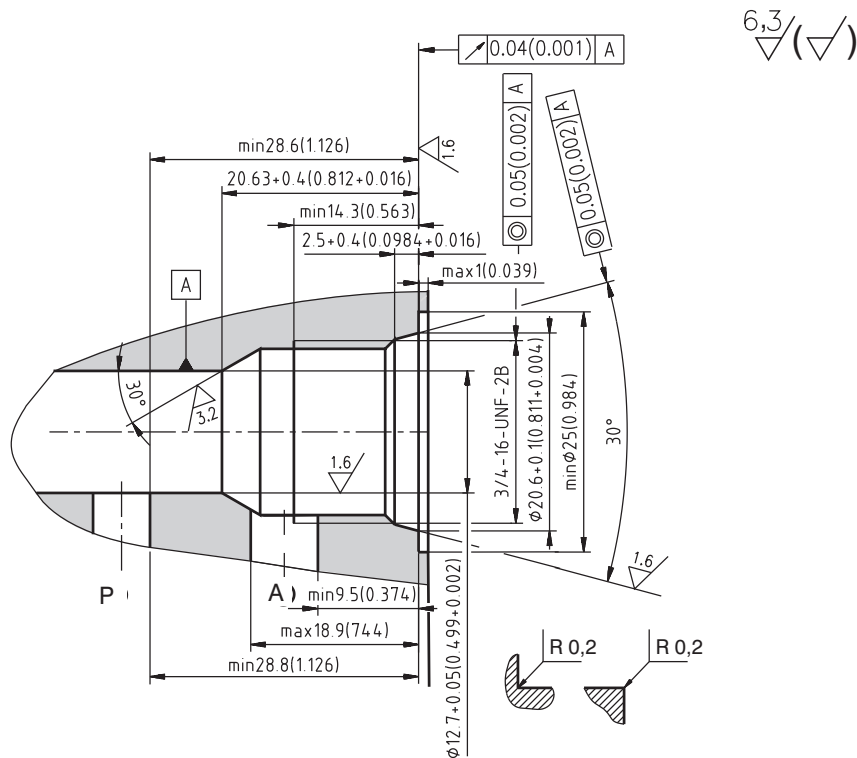
Standard valve

High performance valve



Cavity

Dimensions in millimeters (inches)



Spare Parts

Standard and high performance valve

Dualeal - PU	O-ring - NBR	O-ring - Viton	Order number
10.3 x 12.7 x 3.1 (1pc.)	17 x 1.8 (1pc.)	-	531-9005
10.3 x 12.7 x 3.1 (1pc.)	-	17.17 x 1.78 (1pc.)	531-9006

Caution!

- The packing foil is recyclable.
- The technical information regarding the product presented in this catalogue is for descriptive purposes only. It should not be construed in any case as a guaranteed representation of the product properties in the sense of the law.

ARGO-HYTOS s.r.o. CZ - 543 15 Vrchlaví
 Tel.: +420-499-403111, Fax: +420-499-403421
 E-mail: sales.cz@argo-hytos.com
 www.argo-hytos.com