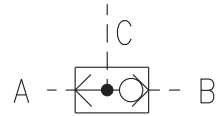


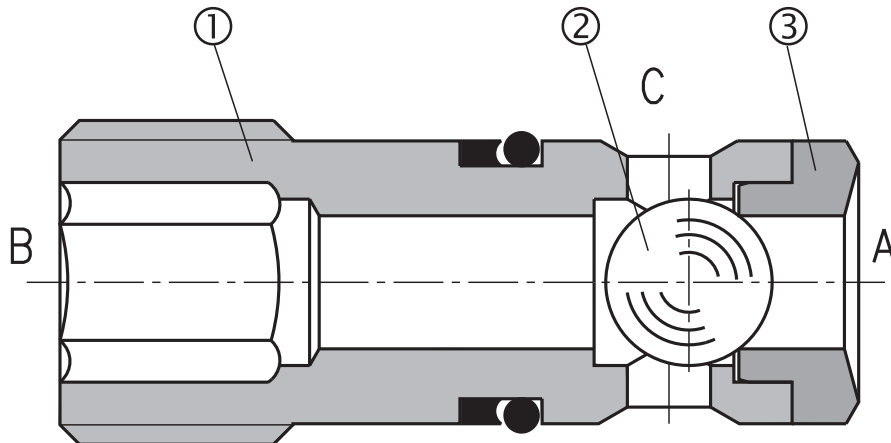
- Compact design
- Poppet design
- Comparing and transmitting a pressure signal



### Functional Description

LV1-043 is 3 way poppet valve consists of the valve housing (1), the seat (3) and the ball (2).

It connects the users A or B with C according to the size of the control pressure in these ports.



### Ordering Code

**LV1-043**

Logical Valve

Nominal size

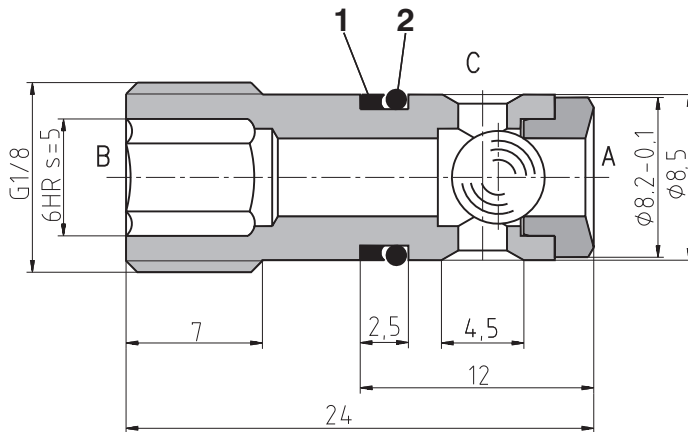
3 way design

## Technical Data

Nominal size	mm	04
Maximum flow rate	L/min	8
Maximum working pressure	bar	500
Hydraulic fluid	Hydraulic oils of power classes (HL, HLP) to DIN 51524	
Fluid temperature range (NBR)	°C	-30 ... +100
Viscosity range	mm <sup>2</sup> /s	20 ... 400
Maximum degree of fluid contamination	Class 21/18/15 to ISO 4406 (1999)	
Mounting position	optional	
Weight	kg	0,01

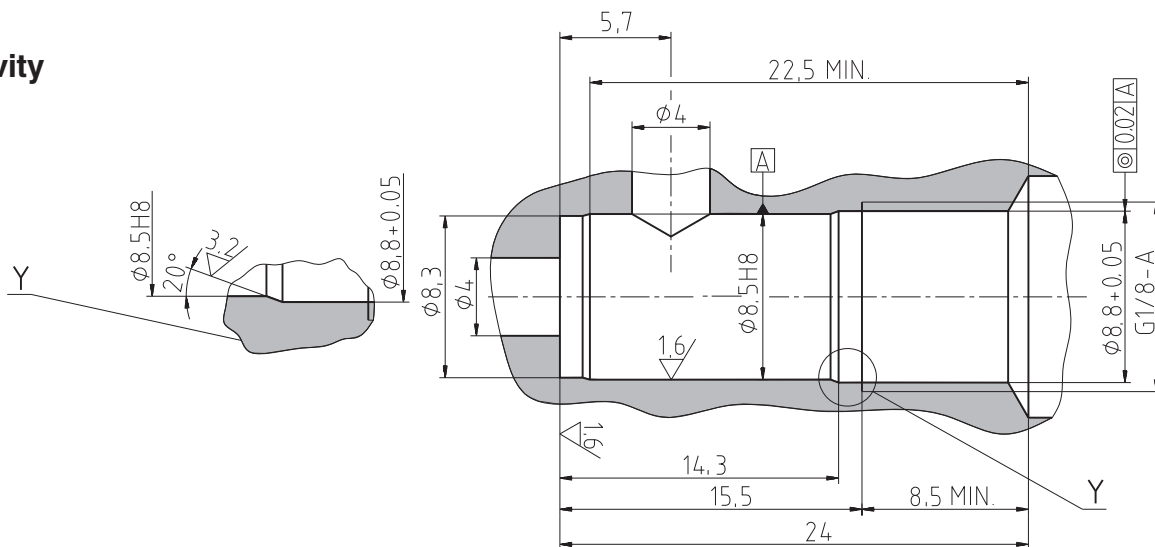
## Valve Dimensions

Dimensions in millimetres



- 1 Thrust ring 8,5 x 6,8 x 1 (1 pc.)  
 2 O-ring 6 x 1 (1 pc.)  
 (supplied with valve)

## Cavity



## Spare Parts

### Seal kit

Type	Dimensions, quantity	Ordering number
O-ring	6 x 1 (1 pc.)	531-0313
Thrust ring	8,5 x 6,8 x 1 (1 pc.)	

## Caution!

- The packing foil is recyclable.
- Tightening torque 12 Nm.
- The technical information regarding the product presented in this catalogue is for descriptive purposes only. It should not be construed in any case as a guaranteed representation of the product properties in the sense of the law.

ARGO-HYTOS s.r.o. CZ - 543 15 Vrchlabí  
 Tel.: +420-499-403111, Fax: +420-499-403421  
 E-mail: sales.cz@argo-hytos.com  
 www.argo-hytos.com