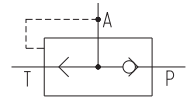


- Screw-in cartridge valve
- For leak-free applications
- Simple design
- High reliability



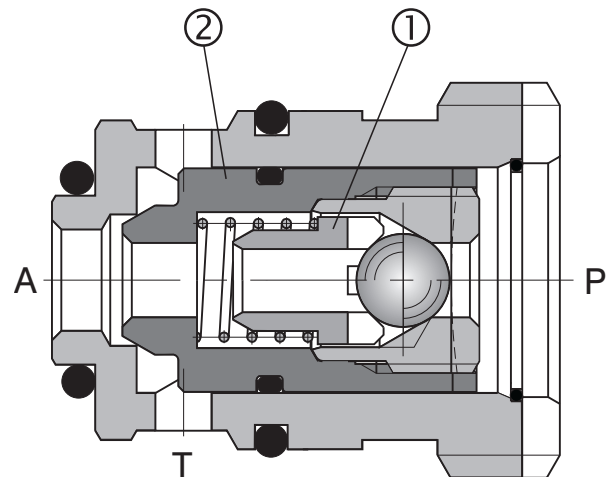
Functional Description

The fluid pressure in port P opens the ball check valve (1), thus allowing the fluid to pass to port A. Due to the area and pressure differential between ports P and A, the poppet (2) closes tightly the connection between ports A and T.

If there is no pressure in port P, then any pressure in port A causes the fluid to pass in the direction A → T. At the same time, the ball check valve provides a leak free closure between ports A and P.

The valve housing and the poppet are made of steel and hardened steel respectively.

The valve is delivered without any surface treatment.



Ordering Code

VJL2 - 304 -

Logical Check Valve

3 way design

Nominal size

no designation
V

Seals
Standard (NBR)
Viton (FPM)

M
G

Type of the connecting thread
Metric thread (M22 x 1.5)
Pipe thread (G1/2)

Spare Parts

Seal kit

Type	Dimensions, quantity		Ordering number
Standard NBR	O-ring	14 x 1.78 (1 pc.)	531-0205
		9 x 1.8 (1 pc.)	
		10 x 1 (1 pc.)	
Viton	O-ring	14 x 1.78 (1 pc.)	531-0206
		9.25 x 1.78 (1 pc.)	
		10 x 1 (1 pc.)	

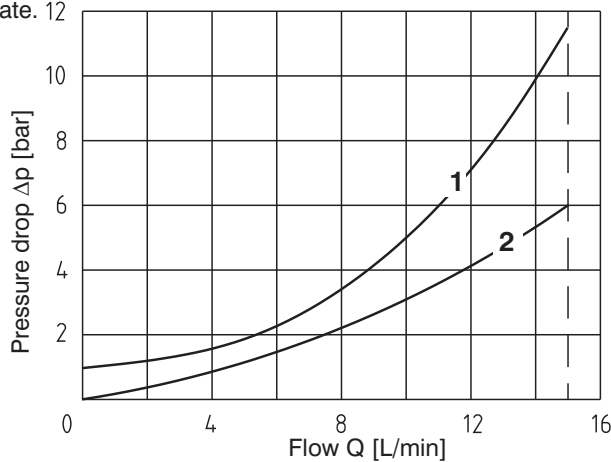
Technical Data

Nominal size	mm	04
Nominal flow rate P→A	L/min	15
Nominal flow rate A→T	L/min	15
Maximum working pressure	bar	210
Pressure drop	bar	see the characteristic
Hydraulic fluid		Hydraulic oils of power classes (HL, HLP) to DIN 51524
Fluid temperature range (NBR)	°C	-30 ... +100
Fluid temperature range (Viton)	°C	-20 ... +120
Viscosity range	mm ² /s	20 ... 400
Maximum degree of fluid contamination		Class 21/18/15 to ISO 4406 (1999)
Weight	kg	0.04
Mounting position		optional

Δp-Q Characteristics

Measured at v = 32 mm²/s

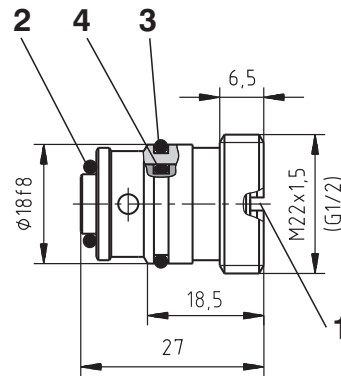
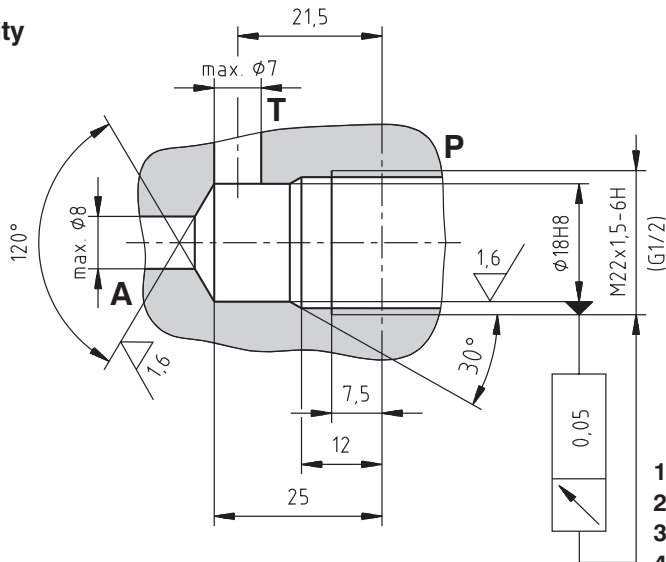
Pressure drop Δp related to flow rate. 12



Valve Dimensions

Dimensions in millimetres

Cavity



- 1 Screw driver slot for valve in cavity
- 2 O-ring 9 x 1.8 NBR70 (1 pc.), supplied with valve
- 3 O-ring 14 x 1.78
- 4 O-ring 10 x 1 (1 pc.), supplied with valve

Caution!

- The packing foil is recyclable.
- The technical information regarding the product presented in this catalogue is for descriptive purposes only. It should not be construed in any case as a guaranteed representation of the product properties in the sense of the law.

ARGO-HYTOS s.r.o. CZ - 543 15 Vrchlaví
 Tel.: +420-499-403111, Fax: +420-499-403421
 E-mail: sales.cz@argo-hytos.com
 www.argo-hytos.com