

- Small dimensions
- Two models
- Poppet design
- Leak-free closure in one direction



VJO1-06/SG-1

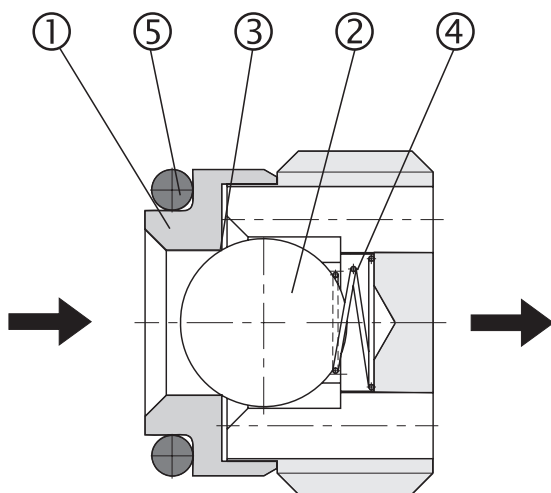


VJO1-06/SG-2

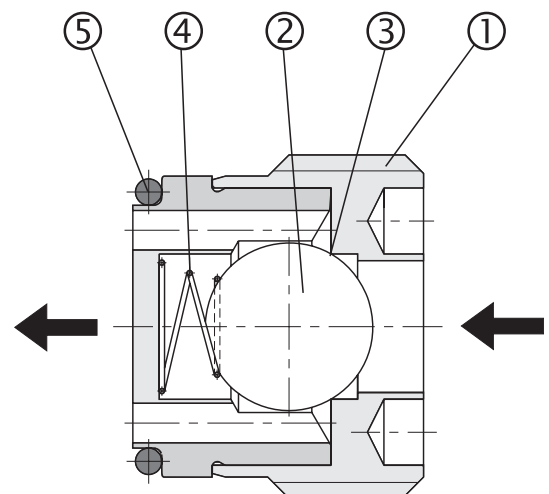
## Functional Description

The check valves VJO1 are developed to be built directly into the lines of the hydraulic circuits. Their features designate them for all applications, where tight closure in one direction and small dimensions are required. The valve is provided with two holes for a mounting mandrel. The shut-off edge (3) of the valve is engineered in the housing (1) and the shut-off function is

accomplished by the ball (2) which is pushed onto the seat by spring (4). Sealing of the valve body (1) in the mounting cavity is provided by the sealing ring (5). During the assembly, the valve has to be secured against loosening by means of a suitable glue or cement (Loctite, etc.).



Model 01



Model 02

## Ordering Code

VJO1-06/SG-

Check Valve

Nominal size

Cartridge

Thread

pipe thread G1/4

S

G

no designation

V

Seals

NBR

FPM (Viton)

Flow direction

model 01

model 02

1

2

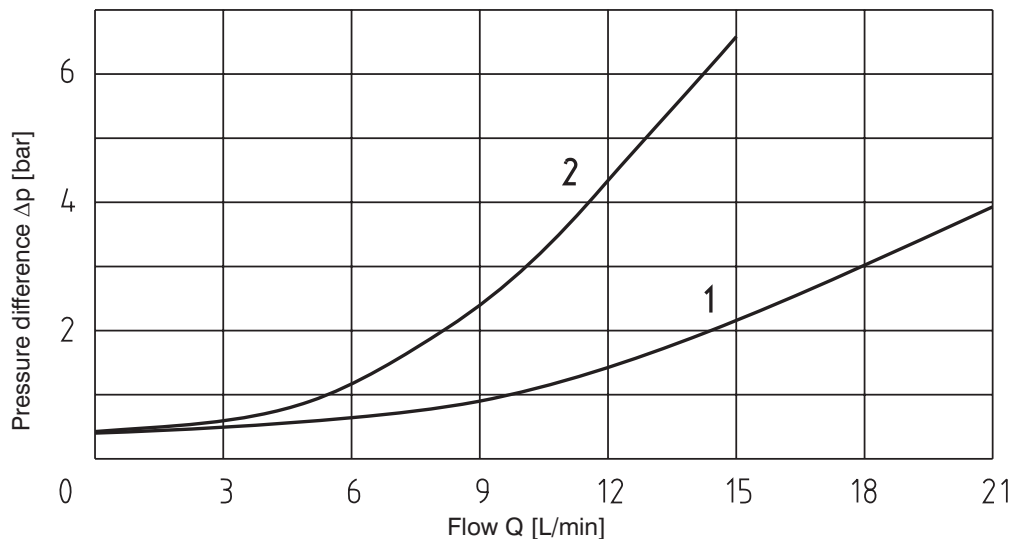
## Technical Data

Nominal size	mm	06
Maximum flow rate	L/min	20
Maximum operating pressure	bar	320
Cracking pressure	bar	0.25
Hydraulic fluid	Hydraulic oils of power classes (HL, HLP) to DIN 51524	
Fluid temperature range for (NBR)	°C	-30 ... +100
Fluid temperature range for (Viton)	°C	-20 ... +120
Viscosity range	mm <sup>2</sup> /s	20 ... 400
Maximum degree of fluid contamination	Class 21/18/15 according to ISO 4406 (1999)	
Weight	kg	0.007
Mounting position	optional	

## Δp-Q Characteristics

Measured at  $v = 32 \text{ mm}^2/\text{s}$

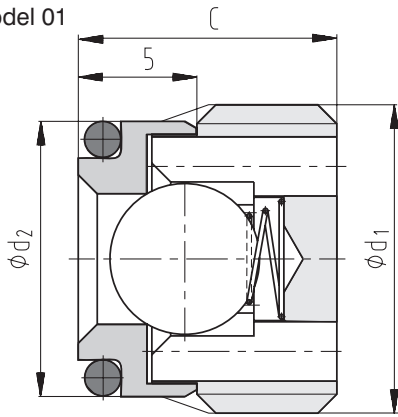
Pressure drop  $\Delta p$  related to flow rate.



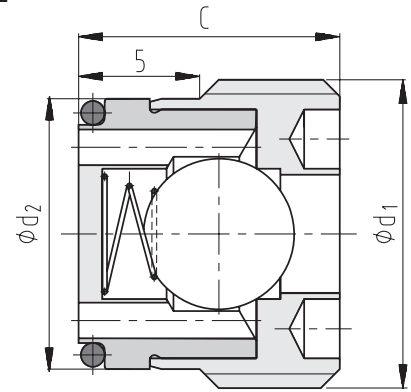
# Valve Dimensions

Dimensions in millimetres

Model 01

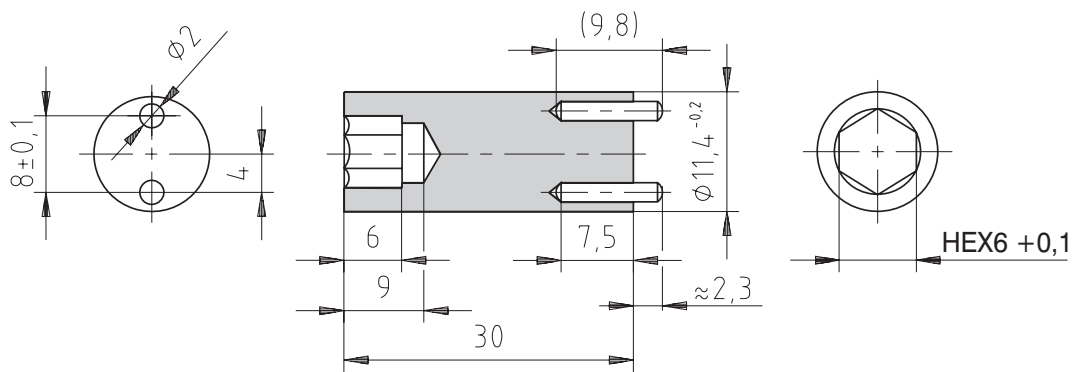


Model 02



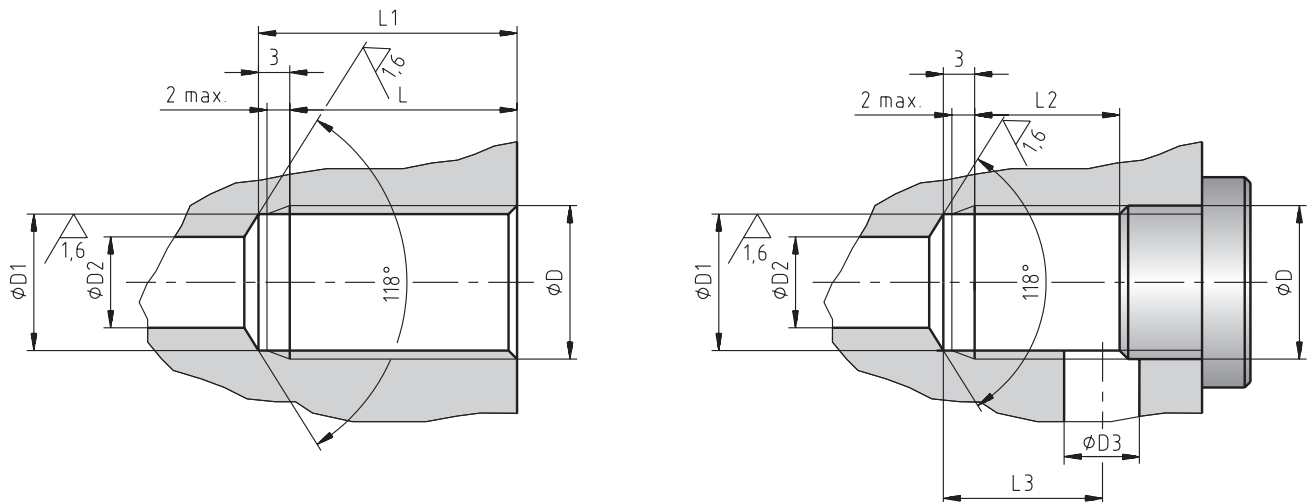
Type	∅d1	∅d2	C	O-Ring
VJO1-06/SG-1	G1/4	11.4 <sup>+0.05</sup>	11	8 x 1.5
VJO1-06/SG-2	G1/4	11.4 <sup>+0.05</sup>	11	9 x 1

## Mounting Mandrel



Type	Tightening torque	Ordering number
VJO1-06	15 Nm	530-0506

## Cavity



Type	∅D	∅D1	∅D2	∅D3	L	L1	L2	L3
VJO1-06	G1/4	11.5 <sup>+0.1</sup>	max. 7	6	20	23	14	14

## Spare Parts

### Seal kit

	Type	Dimension, number	Ordering number
Standard NBR90	VJO1-06/SG-1	O-Ring 8 x 1.5 (1 pc.)	530-0516
	VJO1-06/SG-2	O-Ring 9 x 1 (1 pc.)	530-0517
Viton	VJO1-06/SG-1	O-Ring 8 x 1.5 (1 pc.)	530-0518
	VJO1-06/SG-2	O-Ring 9 x 1 (1 pc.)	530-0519

### Caution!

- The packing foil is recyclable.
- The technical information regarding the product presented in this catalogue is for descriptive purposes only. It should not be construed in any case as a guaranteed representation of the product properties in the sense of the law.

ARGO-HYTOS s.r.o. CZ - 543 15 Vrchlábí  
 Tel.: +420-499-403111, Fax: +420-499-403421  
 E-mail: sales.cz@argo-hytos.com  
 www.argo-hytos.com