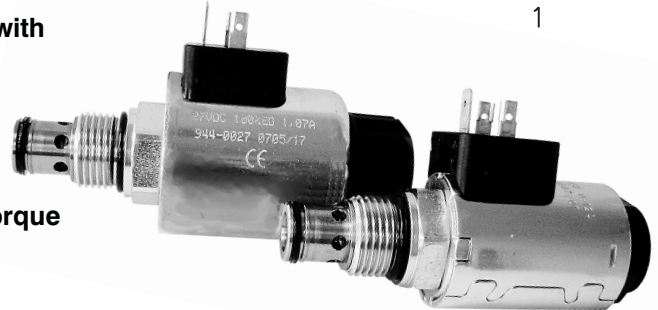
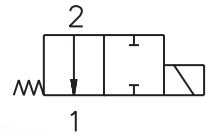


- 2/2 way cartridge valves solenoid operated with spool direction
- Manual override
- No spool sticking by too a high tightening torque
- High transmitted power



Functional Description

The directly operated 2/2 way solenoid actuated spool valve controls in the first line the start and stop function of the oil flow. The valve consists of the valve body (1), control spool (2), return spring (3), cartridge with actuating system (4) and of the solenoid coil (7) that is mounted on the actuating system. The valve bushing is screwed into the cartridge part (4).

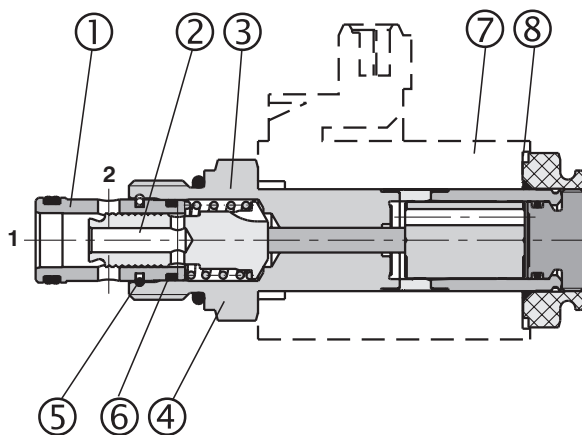
The valve bushing is fixed in the cartridge by a wire ring (5) and sealed with the seal ring (6). Separation of the valve bushing and the cartridge prevent transmitting the stresses, which could be caused by too high tightening torques. The DC solenoid coils can be delivered for 12 V and 24 V supply voltages. For AC applications 120 V/ 60 Hz or 230 V/ 50 Hz,

the suitable rectifiers for the standard solenoid coils are available, with them being mounted in an additional terminal box. With the high power solenoid coils in AC variants, the rectifiers are integrated directly in the connector. By loosening the fixing nut (8), the solenoid coil can be replaced or turned in the range of 360°. The valve body is zinc coated.

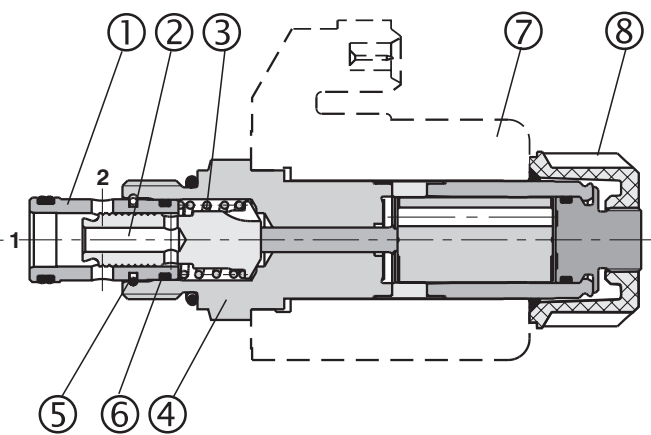
Note:

The valves are supplied without solenoids coils. The solenoid coil, the terminal box and the housing body for line mounting have to be ordered separately.

Standard performance



High performance



Ordering Code

SD2E-B2 /

**2/2 Way Solenoid Operated
Directional Control Valve Spool**

**no designation
V**

Seals
Standard (NBR)
Viton (FPM)

Standard
High performance

**S
H**

**No designation
M2
M5
M9**

Manual override
standard
covered with rubber boot
socket head screw
without manual override

Description
Refer to the table with functional symbols

Solenoid coil, terminal box and body for line mounting have to be ordered separately.

Functional Symbols

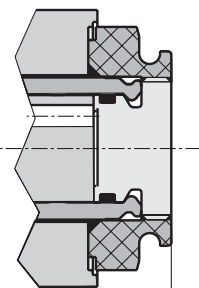
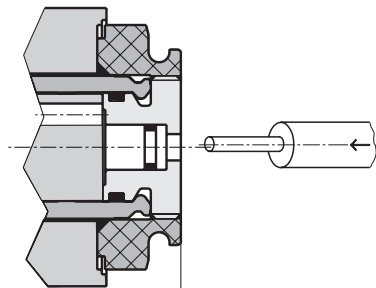
Designation	Symbol	Interposition	Designation	Symbol	Interposition
2111			2112		

Manual Override

Dimensions in millimeters (inches)

No designation - standard

Designation M9 - without manual override

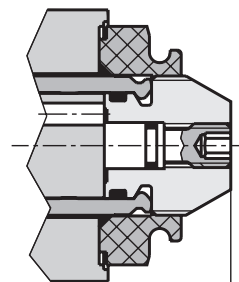
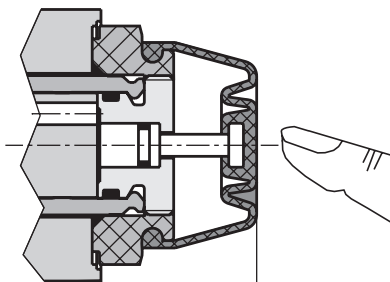


Standard valve ~70,5 (2.776)
High performance valve ~83,0 (3.268)

Standard valve ~70,5 (2.776)
High performance valve ~83,0 (3.268)

Designation M2 - covered with rubber boot

Designation M5 - with socket head screw 2.5 (0.098)



Standard valve ~82,0(3.228)
High performance valve ~100,0(3.937)

Standard valve ~78,0(3.071)
High performance valve ~84,8(3.339)

Technical Data

		Standard	High performance
Cartridge thread		7/8-14 UNF-2B	
Maximum flow	L/min (GPM)	50 (13.21)	60 (15.85)
Max. operating pressure	bar (PSI)	250 (3626)	350 (5076)
Pressure drop	bar (PSI)	see Δp -Q characteristics	
Hydraulic fluid		Hydraulic oils of power classes (HL, HLP) to DIN 51524	
Coil groups (see the datasheet of coils)		C 04-23	C 06-22
Fluid temperature range	°C (°F)	-20 ... 60 (-4 ... 140)	-20 ... 80 (-4 ... 176)
Ambient temperature, max.	°C (°F)	-20 ... 50 (-4 .. 122)	-20 ... 80 (-4 ... 176)
Viscosity range	mm ² /s (SUS)	10 ... 500 (49 ... 2450)	
Maximum degree of fluid contamination		Class 21/18/15 according to ISO 4406 (1999)	
Permissible rated voltage variation	%	AC,DC ±10	AC,DC ±15
Max. switching frequency	1/h	15 000	
Duty cycle	%	100	
Enclosure type to EN 60529		IP 65	
Service life	cycles	10 ⁷	
Maximum valve tightening torque	Nm (lbf.ft)	35+5 (25.81+3.68)	
Maximum plastic nut tightening torque	Nm (lbf.ft)	3+1 (2.21+0.74)	5+1 (3.69+0.74)
Weight	kg(lbs)	0,22 (0.49)	0,29 (0.64)
Mounting position		optional	

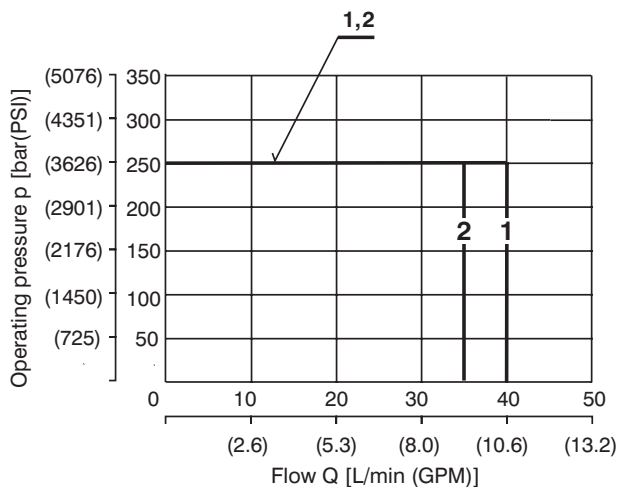
p-Q Characteristics

Measured at $v = 32 \text{ mm}^2/\text{s}$ (156 SUS)

Operating limits for hydraulic power transferred by the directional valve. For respective spool type - see functional symbols.

Standard valve

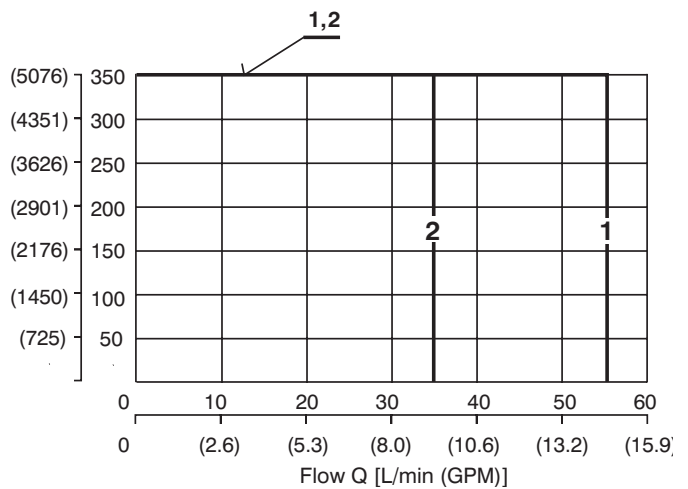
Oil 80 °C (176 °F) / Ambient temperature 50 °C (122 °F)
Voltage Un -10% [V], 24V



	Connection	Direction
1	2 11	2→1
2	2 12	2→1

High performance valve

Oil 80 °C (176 °F) / Ambient temperature 50 °C (122 °F)
Voltage Un -10% [V], 24V



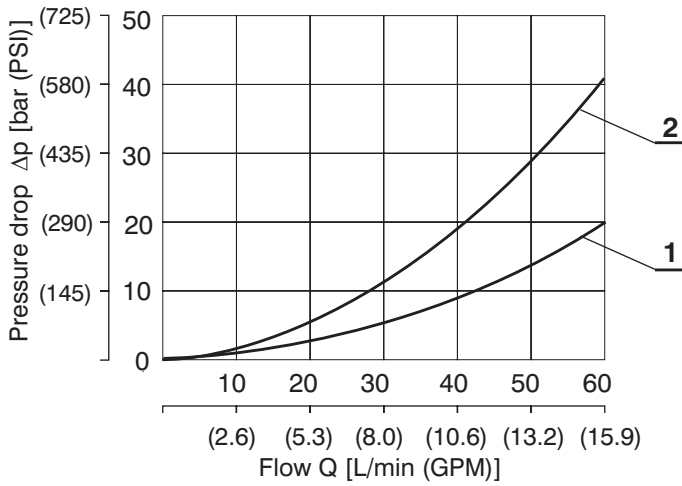
	Connection	Direction
1	2 11	2→1
2	2 12	2→1

Δp-Q Characteristics

Measured at $v = 32 \text{ mm}^2/\text{s}$ (156 SUS)

Pressure drops Δp related to flow rate

Standard valve + High performance valve

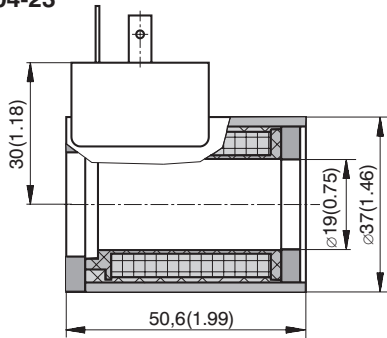


	Connection	Direction
1	2I11	1→2
1	2I11	2→1
2	2I12	1→2
2	2I12	2→1

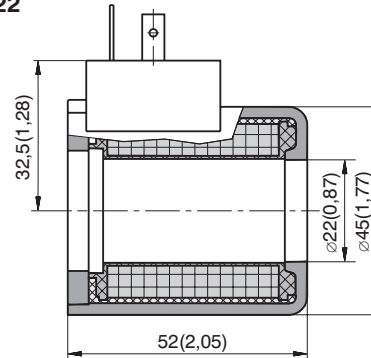
Type of the Solenoid Coils

Dimensions in millimeters (inches)

Coil for Standard valve
C04-23



Coil for High performance valve
C06-22



Solenoid	Connector	Standard valve	High performance valve
		SD2E-B2 / S...	SD2E-B2 / H...
		Type code	Type code
12 VDC	EN 175301-803-A	C04-23-012DC-E1	C06-22-012DC-E1
24 VDC	EN 175301-803-A	C04-23-024DC-E1	C06-22-024DC-E1
12 VDC	AMP-Junior-Timer (2-pins)	C04-23-012DC-E3	C06-22-012DC-E3A
24 VDC	AMP-Junior-Timer (2-pins)	C04-23-024DC-E3	C06-22-024DC-E3A
12 VDC	Flying leads**	C04-23-012DC-E8	C06-22-012DC-E8
24 VDC	Flying leads**	C04-23-024DC-E8	C06-22-024DC-E8
12 VDC	Deutsch DT04-2P	---	C06-22-012DC-E12
24 VDC	Deutsch DT04-2P	---	C06-22-024DC-E12
120 VAC	EN 175301-803-A	C04-23-106DC-E1*	C06-22-106DC-E1*
230 VAC	EN 175301-803-A	C04-23-205DC-E1*	C06-22-205DC-E1*
120 VAC	EN 175301-803-A (with rectifier)	C04-23-120AC-E5	C06-22-120AC-E5
230 VAC	EN 175301-803-A (with rectifier)	C04-23-230AC-E5	C06-22-230AC-E5

*Use the terminal box with rectifier!

**Standard length of connecting wire is 300 mm, other lengths on request.

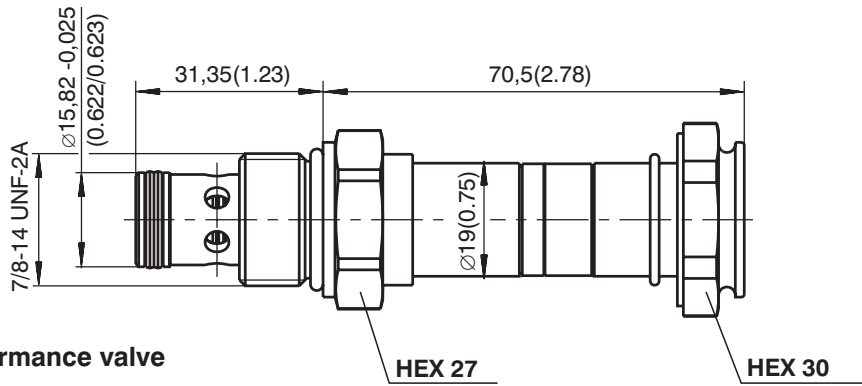
Note:

- For other voltages, connector variants, quenching diodes or rectifiers refer to Coil data sheet HA 8007

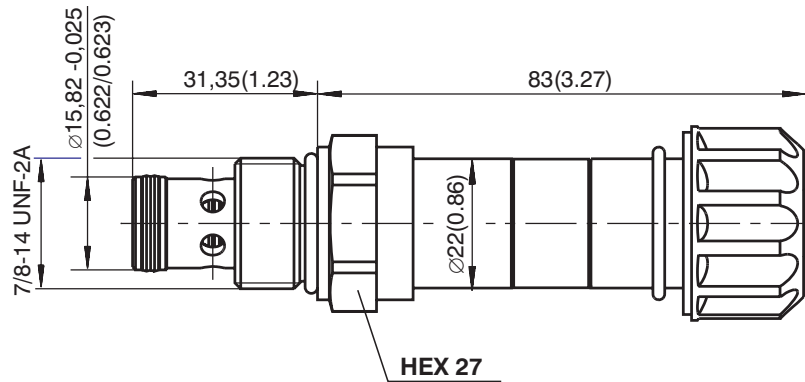
Valve Dimensions

Dimensions in millimeters (inches)

Standard valve

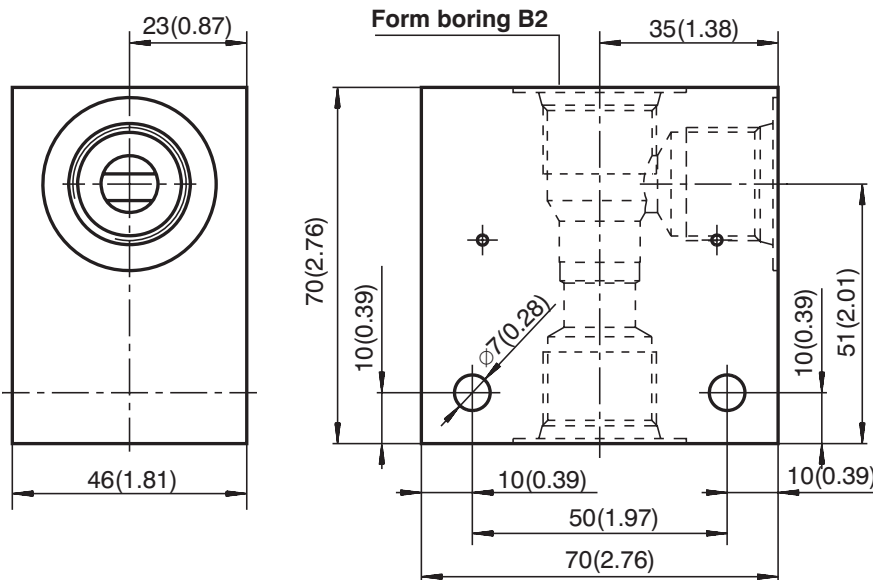


High performance valve



Valve Body

Dimensions in millimeters (inches)



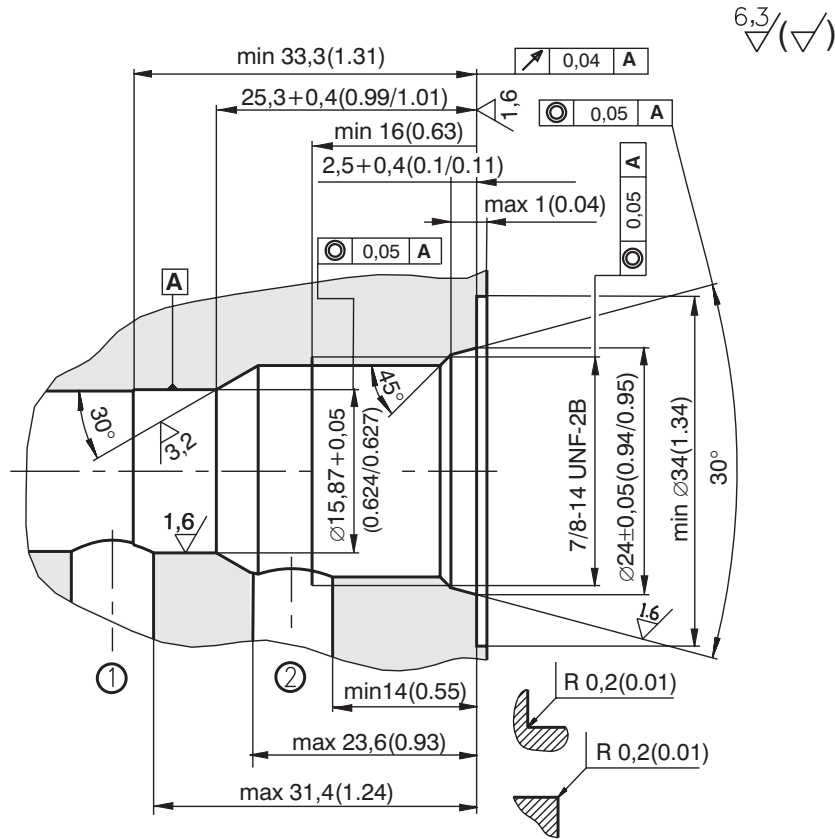
Body material	Connecting size	Type code	Operating pressures
Steel	G3/8	SB-B2-0103ST	420 bar (6091 PSI)
Steel	SAE 8	SB-B2-0104ST	420 bar (6091 PSI)
Aluminium	G3/8	SB-B2-0103AL	250 bar (3626 PSI)
Aluminium	SAE 8	SB-B2-0104AL	250 bar (3626 PSI)

Note:

- For detailed valve body ordering code refer to data sheet HA 0018

Cavity

Dimensions in millimeters (inches)



Spare Parts

Dimensions in millimeters

Standard and high performance valve

Dualeal - PU	O-ring - NBR	O-ring - Viton	Order number
13,47 x 15,87 x 3,1 (1pc.)	19,4 x 2,1 (1pc.)	-	18960400
13,47 x 15,87 x 3,1 (1pc.)	-	19,4 x 2,1 (1pc.)	18960500

Solenoid retaining nut with seal for standard valve

Type of nut	O-ring - Viton	
Standard nut	18 x 1,5 (1pc.)	20777000
Nut M2	18 x 1,5 (1pc.)	20777600

Solenoid retaining nut with seal for high performance valve

Type of nut	O-ring - Viton	
Standard nut	22 x 2 (1pc.)	15844600
Nut M2	22 x 2 (1pc.)	18961700

Caution!

- The packing foil is recyclable.
- The technical information regarding the product presented in this catalogue is for descriptive purposes only. It should not be construed in any case as a guaranteed representation of the product properties in the sense of the law.

ARGO-HYTOS s.r.o. CZ - 543 15 Vrchlabí
 Tel.: +420-499-403111, Fax: +420-499-403421
 E-mail: sales.cz@argo-hytos.com
 www.argo-hytos.com