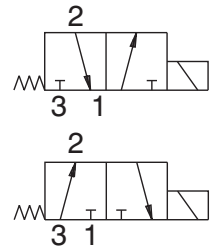


- 3/2 way valves construction
- Reducing valves suitable for mobile applications
- Compact design
- Economical Slip-In Style

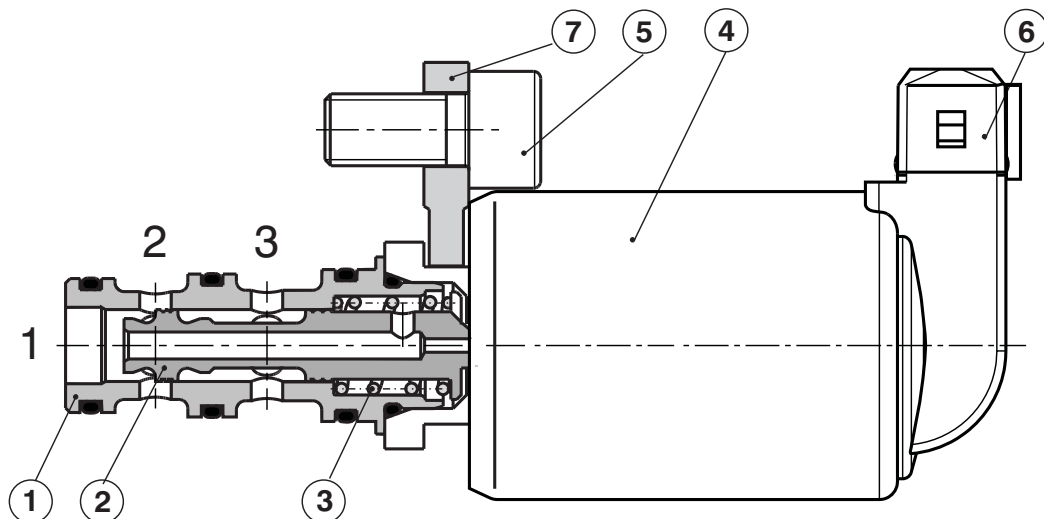


Functional Description

The directly operated 3/2 way solenoid actuated spool valve controls in the first line the start and stop function of the oil flow. The valve consists of the valve body (1), control spool (2), return spring (3), cartridge with actuating system (4) and of the solenoid coil (7) that is mounted on the actuating system. The valve bushing is screwed into the cartridge part (4).

The valve bushing is fixed in the cartridge by a wire ring (5) and sealed with the seal ring (6). Separation of the valve bushing and the cartridge prevent transmitting the stresses, which could be caused by too high tightening

torques. The DC solenoid coils can be delivered for 12 V and 24 V supply voltages. For AC applications 120 V/ 60 Hz or 230 V/ 50 Hz, the suitable rectifiers for the standard solenoid coils are available, with them being mounted in an additional terminal box. With the high power solenoid coils in AC variants, the rectifiers are integrated directly in the connector. By loosening the fixing nut (8), the solenoid coil can be replaced or turned in the range of 360°. The valve body is zinc coated.



Ordering Code

PD2E - / -

3/2 Way Cartridge Directional Valve Solenoid Operated Slip-In Style

Type of construction

1

no designation
V

Seals
NBR
FPM (Viton)

Valve Cavity
D17 (mm)

Y

Electronics

E3 with AMP-Junior-Timer-connector
E4 with integrated quenching diode and terminal for AMP-Junior-Timer
E12 connector with DEUTSCH DT 04-2P
E13 with integrated quenching diode and terminal for DEUTSCH DT 04-2P

Number of operating positions

3

Design

Standard
Customised

S
C

Nominal supply voltage

12
24

12 V DC / 1,67 A
24 V DC / 0,84 A

Number of operating positions

2

Functional Symbols

D21
D26

Functional Symbols

Designation	Symbol	Interposition	Designation	Symbol	Interposition
2D21			2D26		

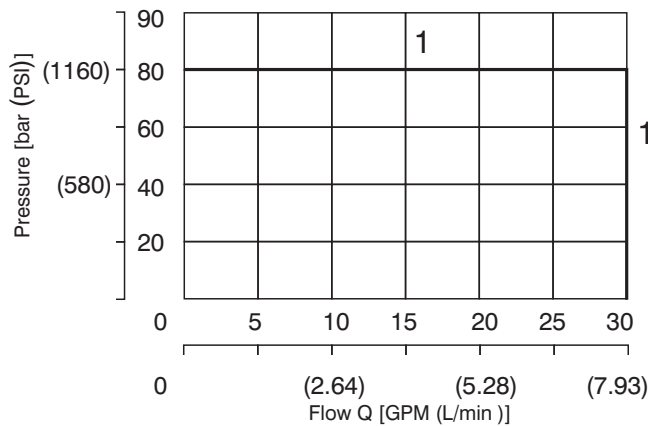
Technical Data

		Standard
Valve Cavity	mm (US)	D17
Maximum flow	L/min (GPM)	30 (7.93)
Max. operating pressure in Canals 1 and 2	bar (PSI)	80 (1160)
Max. operating pressure in Canal 1	bar (PSI)	30 (435)
Hydraulic fluid		Hydraulic oils of power classes (HL, HLP) to DIN 51524
Fluid temperature range	°C (°F)	-30 ... +90 (-22 ... +194)
Ambient temperature, max.	°C (°F)	-30 ... +90 (-22 ... +194)
Viscosity range	mm ² /s (SUS)	10 ... 500 (49 ... 2450)
Maximum degree of fluid contamination		Class 21/18/15 according to ISO 4406 (1999)
Permissible rated voltage variation	%	±10
Max. switching frequency	1/h	15 000
Duty cycle	%	100
Service life	cycles	10 ⁷
Enclosure type to EN 60529		IP 65
Maximum fixing bolt tightening torque	Nm (lbf.ft)	9+2 (6.64+1.48)
Weight Directional Control Valves	kg(lbs)	0.2 (0.44)
Mounting position		any

p-Q Characteristics

Measured at $v = 32 \text{ mm}^2/\text{s}$ (156 SUS)

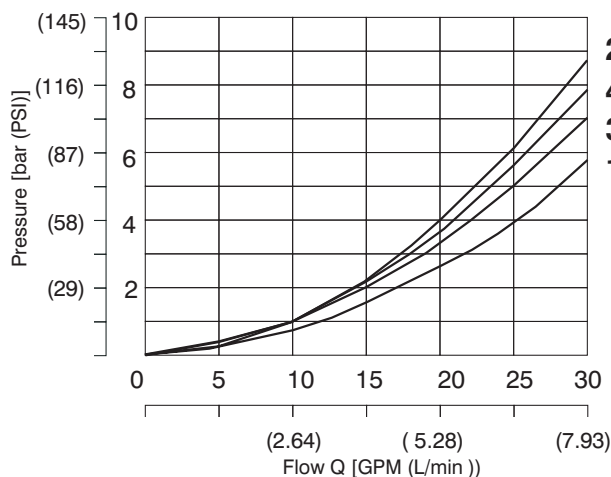
Oil 90 °C / Ambient temperature 90 °C, Voltage rating $U_n \pm 10\%$



	Connection	Dirrection
1	2D21	2→1
		3→2
1	2D26	3→2
		2→1

Δp-Q Characteristics

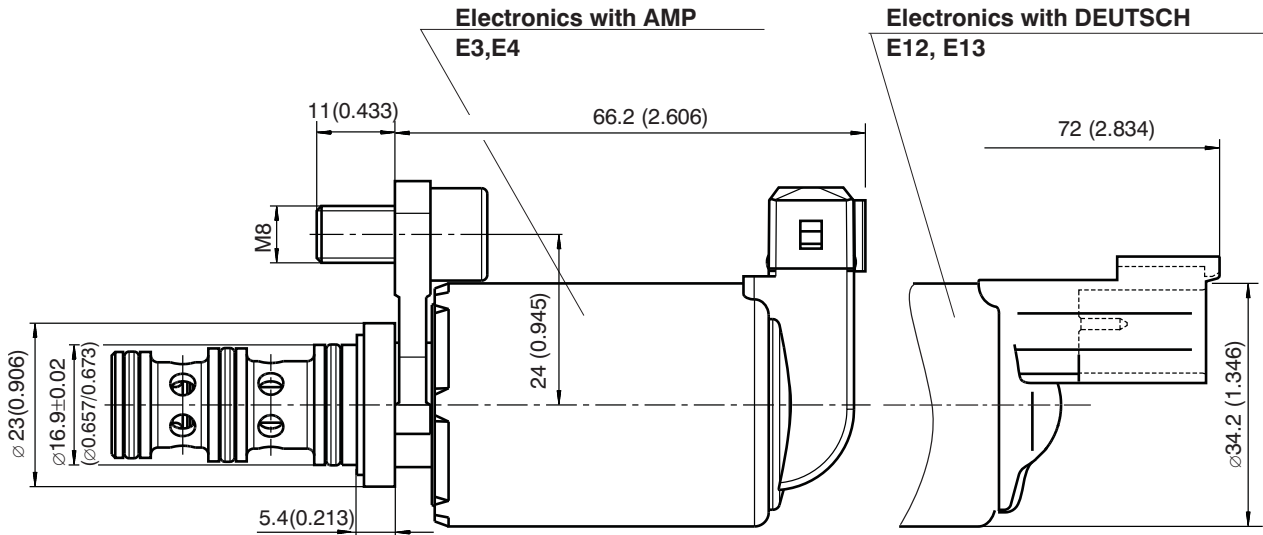
Measured at $v = 32 \text{ mm}^2/\text{s}$ (156 SUS)



	Connection	Dirrection
1	2D21	2→1
2	2D21	3→2
3	2D26	2→1
4	2D26	3→2

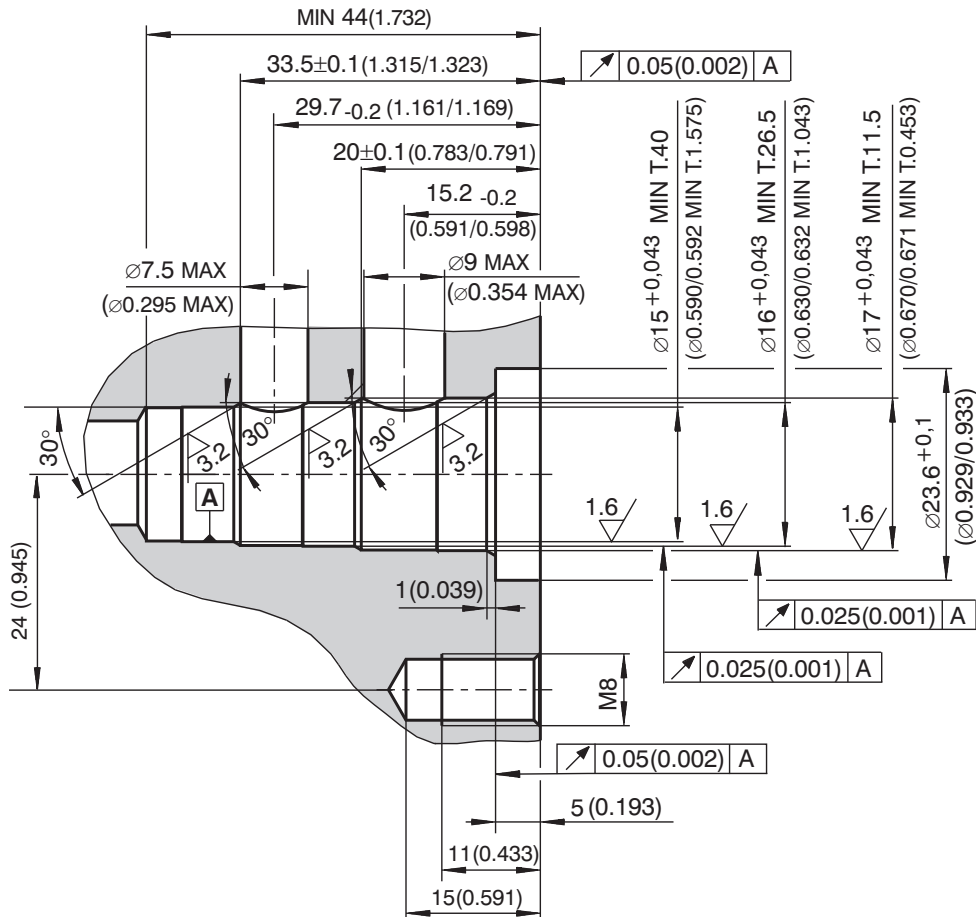
Valve Dimensions

Dimensions in millimeters and (inches)



Cavity

Dimensions in millimeters (inches)



Caution!

- The plastic packaging is recyclable.
- Certified documentation is available per request.

ARGO-HYTOS s.r.o. CZ - 543 15 Vrchlaví
 Tel.: +420-499-403111, Fax: +420-499-403421
 E-mail: sales.cz@argo-hytos.com
 www.argo-hytos.com