

Table of stud kits for vertical stacking assemblies in combination with directional control valve RPE3-06

Pressure switch	Pressure reducing valve	Pressure relief valve	Pilot operated check valve	Check valve	Throttle valve	Studs with rolled threads	Maximum working pressure	Ordering number*
Height 43 mm	Height 45 mm	Height 40 mm	Height 40 mm	Height 31.4 mm	Height 40 mm	$M_u = 8.9 \text{ Nm}$	p_{\max} bar	
MTS1-06						M5 x 98	320	760-0072
	VRN2-06					M5 x 102	320	760-0073
		VPN1-06				M5 x 98	320	760-0072
			2RJV1-06			M5 x 98	320	760-0072
				MVJ2-06		M5 x 88	320	760-0094
					2VS3-06	M5 x 98	320	760-0072
MTS1-06	VRN2-06					M5 x 144	320	760-0078
MTS1-06		VPN1-06				M5 x 136	320	760-0077
MTS1-06			2RJV1-06			M5 x 136	320	760-0077
MTS1-06				MVJ2-06		M5 x 130	320	760-0076
MTS1-06					2VS3-06	M5 x 136	320	760-0077
	VRN2-06	VPN1-06				M5 x 144	320	760-0078
	VRN2-06		2RJV1-06			M5 x 144	320	760-0078
	VRN2-06			MVJ2-06		M5 x 136	320	760-0077
	VRN2-06				2VS3-06	M5 x 144	320	760-0078
		VPN1-06	2RJV1-06			M5 x 136	320	760-0077
		VPN1-06		MVJ2-06		M5 x 130	320	760-0076
		VPN1-06			2VS3-06	M5 x 136	320	760-0077
			2RJV1-06	MVJ2-06		M5 x 130	320	760-0076
			2RJV1-06		2VS3-06	M5 x 136	320	760-0077
				MVJ2-06	2VS3-06	M5 x 130	320	760-0076
MTS1-06	VRN2-06	VPN1-06				M5 x 185	320	760-0083
MTS1-06	VRN2-06		2RJV1-06			M5 x 185	320	760-0083
MTS1-06	VRN2-06			MVJ2-06		M5 x 175	320	760-0081
MTS1-06	VRN2-06				2VS3-06	M5 x 180	320	760-0082
MTS1-06		VPN1-06	2RJV1-06			M5 x 180	320	760-0082
MTS1-06		VPN1-06		MVJ2-06		M5 x 170	320	760-0080
MTS1-06		VPN1-06			2VS3-06	M5 x 180	320	760-0082
MTS1-06			2RJV1-06	MVJ2-06		M5 x 170	320	760-0080
MTS1-06			2RJV1-06		2VS3-06	M5 x 180	320	760-0082
MTS1-06				MVJ2-06	2VS3-06	M5 x 170	320	760-0080
	VRN2-06	VPN1-06	2RJV1-06			M5 x 185	320	760-0083
	VRN2-06	VPN1-06		MVJ2-06		M5 x 175	320	760-0081
	VRN2-06	VPN1-06			2VS3-06	M5 x 180	320	760-0082
	VRN2-06		2RJV1-06	MVJ2-06		M5 x 175	320	760-0081
	VRN2-06		2RJV1-06		2VS3-06	M5 x 180	320	760-0082
	VRN2-06			MVJ2-06	2VS3-06	M5 x 175	320	760-0081

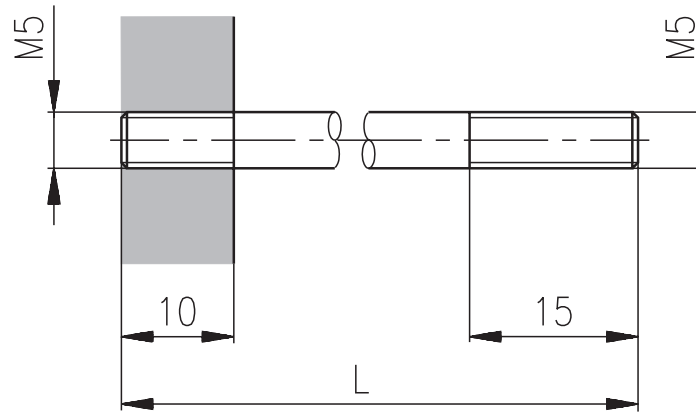
Table of stud kits for vertical stacking assemblies in combination with directional control valve RPE3-06

Pressure switch	Pressure reducing valve	Pressure relief valve	Pilot operated check valve	Check valve	Throttle valve	Studs with rolled threads	Maximum working pressure	Ordering number*
Height 43 mm	Height 45 mm	Height 40 mm	Height 40 mm	Height 31.4 mm	Height 40 mm	$M_u = 8.9 \text{ Nm}$	p_{\max} bar	
		VPN1-06	2RJV1-06	MVJ2-06		M5 x 170	320	760-0080
		VPN1-06	2RJV1-06		2VS3-06	M5 x 175	320	760-0081
		VPN1-06		MVJ2-06	2VS3-06	M5 x 170	320	760-0080
			2RJV1-06	MVJ2-06	2VS3-06	M5 x 170	320	760-0080
MTS1-06	VRN2-06	VPN1-06	2RJV1-06			M5 x 222	250	760-0087
MTS1-06	VRN2-06	VPN1-06		MVJ2-06		M5 x 215	250	760-0086
MTS1-06	VRN2-06	VPN1-06			2VS3-06	M5 x 222	250	760-0087
MTS1-06	VRN2-06		2RJV1-06	MVJ2-06		M5 x 215	250	760-0086
MTS1-06	VRN2-06		2RJV1-06		2VS3-06	M5 x 222	250	760-0087
MTS1-06	VRN2-06			MVJ2-06	2VS3-06	M5 x 215	250	760-0086
MTS1-06		VPN1-06	2RJV1-06	MVJ2-06		M5 x 210	250	760-0085
MTS1-06		VPN1-06	2RJV1-06		2VS3-06	M5 x 215	250	760-0086
MTS1-06		VPN1-06		MVJ2-06	2VS3-06	M5 x 210	250	760-0085
MTS1-06			2RJV1-06	MVJ2-06	2VS3-06	M5 x 210	250	760-0085
	VRN2-06	VPN1-06	2RJV1-06	MVJ2-06		M5 x 215	250	760-0086
	VRN2-06	VPN1-06	2RJV1-06		2VS3-06	M5 x 222	250	760-0087
	VRN2-06	VPN1-06		MVJ2-06	2VS3-06	M5 x 215	250	760-0086
	VRN2-06		2RJV1-06	MVJ2-06	2VS3-06	M5 x 215	250	760-0086
		VPN1-06	2RJV1-06	MVJ2-06	2VS3-06	M5 x 210	250	760-0085
MTS1-06	VRN2-06	VPN1-06	2RJV1-06	MVJ2-06		M5 x 255	200	760-0088
MTS1-06	VRN2-06	VPN1-06	2RJV1-06		2VS3-06	M5 x 262	200	760-0096
MTS1-06	VRN2-06	VPN1-06		MVJ2-06	2VS3-06	M5 x 255	200	760-0088
MTS1-06	VRN2-06		2RJV1-06	MVJ2-06	2VS3-06	M5 x 255	200	760-0088
MTS1-06		VPN1-06	2RJV1-06	MVJ2-06	2VS3-06	M5 x 250	200	760-0097
	VRN2-06	VPN1-06	2RJV1-06	MVJ2-06	2VS3-06	M5 x 255	200	760-0088

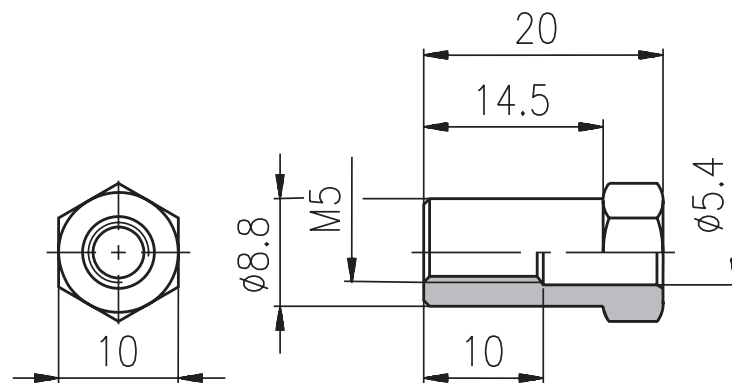
* The ordering number contains a set of 4 studs and 4 nuts.

Valve Dimensions

Dimensions in millimeters

Stud Bolt

Stud bolt M5 x L (length L see the table), class of strength 10.9.

Stud Nut**Order numbers of Individual Stud Bolts and Stud Nuts**

Name	Dimension	Weight/100 pcs (kg)	Ordering number
Stud Bolt	M5 x 88	1.24	309001005088
Stud Bolt	M5 x 98	1.38	309001005098
Stud Bolt	M5 x 102	1.44	309001005102
Stud Bolt	M5 x 130	1.83	309001005130
Stud Bolt	M5 x 136	1.92	309001005136
Stud Bolt	M5 x 144	2.03	309001005144
Stud Bolt	M5 x 170	2.39	309001005170
Stud Bolt	M5 x 175	2.46	309001005175
Stud Bolt	M5 x 180	2.53	309001005180
Stud Bolt	M5 x 185	2.61	309001005185
Stud Bolt	M5 x 210	2.96	309001005210
Stud Bolt	M5 x 215	3.03	309001005215
Stud Bolt	M5 x 222	3.13	309001005222
Stud Bolt	M5 x 250	3.52	309001005250
Stud Bolt	M5 x 255	3.59	309001005255
Stud Bolt	M5 x 262	3.69	309001005262
Stud Nut	M5	0.71	336 677 721 990

Caution!

- The technical information regarding the product presented in this catalogue is for descriptive purposes only. It should not be construed in any case as a guaranteed representation of the product properties in the sense of the law.

ARGO-HYTOS s.r.o.CZ - 543 15 Vrchlaví
Tel.: +420-499-403111, Fax: +420-499-403421
E-mail: sales.cz@argo-hytos.com
www.argo-hytos.com