

**Table of stud kits for vertical stacking assemblies in combination with directional control valve RPE3-04**

Pressure switch	Pressure reducing valve	Pressure relief valve	Pilot operated check valve	Check valve	Throttle valve	Studs with rolled threads	Maximum working pressure	Ordering number*
Height 35 mm	Height 30 mm	Height 35 mm	Height 30 mm	Height 30 mm	Height 30 mm	$M_u = 5 \text{ Nm}$	$p_{\text{max}}$ bar	
M-TR						M5 x 82	320	760-0070
	VRP2-04					M5 x 77	320	760-0089
		VPP2-04				M5 x 82	320	760-0070
			VJR1-04			M5 x 77	320	760-0089
				VJO1-04/M		M5 x 77	320	760-0089
					VSO1-04/M	M5 x 77	320	760-0089
M-TR	VRP2-04					M5 x 110	320	760-0074
M-TR		VPP2-04				M5 x 115	320	760-0146
M-TR			VJR1-04			M5 x 110	320	760-0074
M-TR				VJO1-04/M		M5 x 110	320	760-0074
M-TR					VSO1-04/M	M5 x 110	320	760-0074
	VRP2-04	VPP2-04				M5 x 110	320	760-0074
	VRP2-04		VJR1-04			M5 x 110	320	760-0074
	VRP2-04			VJO1-04/M		M5 x 110	320	760-0074
	VRP2-04				VSO1-04/M	M5 x 110	320	760-0074
		VPP2-04	VJR1-04			M5 x 110	320	760-0074
		VPP2-04		VJO1-04/M		M5 x 110	320	760-0074
		VPP2-04			VSO1-04/M	M5 x 110	320	760-0074
			VJR1-04	VJO1-04/M		M5 x 110	320	760-0074
			VJR1-04		VSO1-04/M	M5 x 110	320	760-0074
				VJO1-04/M	VSO1-04/M	M5 x 110	320	760-0074
M-TR	VRP2-04	VPP2-04				M5 x 144	320	760-0078
M-TR	VRP2-04		VJR1-04			M5 x 144	320	760-0078
M-TR	VRP2-04			VJO1-04/M		M5 x 144	320	760-0078
M-TR	VRP2-04				VSO1-04/M	M5 x 144	320	760-0078
M-TR		VPP2-04	VJR1-04			M5 x 144	320	760-0078
M-TR		VPP2-04		VJO1-04/M		M5 x 144	320	760-0078
M-TR		VPP2-04			VSO1-04/M	M5 x 144	320	760-0078
M-TR			VJR1-04	VJO1-04/M		M5 x 144	320	760-0078
M-TR			VJR1-04		VSO1-04/M	M5 x 144	320	760-0078
M-TR				VJO1-04/M	VSO1-04/M	M5 x 144	320	760-0078
	VRP2-04	VPP2-04	VJR1-04			M5 x 144	320	760-0078
	VRP2-04	VPP2-04		VJO1-04/M		M5 x 144	320	760-0078
	VRP2-04	VPP2-04			VSO1-04/M	M5 x 144	320	760-0078
	VRP2-04		VJR1-04	VJO1-04/M		M5 x 136	320	760-0077
	VRP2-04		VJR1-04		VSO1-04/M	M5 x 136	320	760-0077
	VRP2-04			VJO1-04/M	VSO1-04/M	M5 x 136	320	760-0077

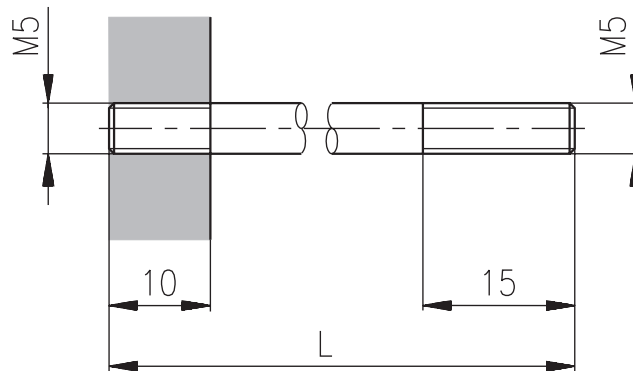
Table of stud kits for vertical stacking assemblies in combination with directional control valve RPE3-04

Pressure switch	Pressure reducing valve	Pressure relief valve	Pilot operated check valve	Check valve	Throttle valve	Studs with rolled threads	Maximum working pressure	Ordering number*
Height 35 mm	Height 30 mm	Height 35 mm	Height 30 mm	Height 30 mm	Height 30 mm	$M_u = 5 \text{ Nm}$	$p_{\max}$ bar	
		VPP2-04	VJR1-04	VJO1-04/M		M5 x 144	320	760-0078
		VPP2-04	VJR1-04		VSO1-04/M	M5 x 144	320	760-0078
		VPP2-04		VJO1-04/M	VSO1-04/M	M5 x 144	320	760-0078
			VJR1-04	VJO1-04/M	VSO1-04/M	M5 x 136	320	760-0077
M-TR	VRP2-04	VPP2-04	VJR1-04			M5 x 177	320	760-0147
M-TR	VRP2-04	VPP2-04		VJO1-04/M		M5 x 177	320	760-0147
M-TR	VRP2-04	VPP2-04			VSO1-04/M	M5 x 177	320	760-0147
M-TR	VRP2-04		VJR1-04	VJO1-04/M		M5 x 170	320	760-0080
M-TR	VRP2-04		VJR1-04		VSO1-04/M	M5 x 170	320	760-0080
M-TR	VRP2-04			VJO1-04/M	VSO1-04/M	M5 x 170	320	760-0080
M-TR		VPP2-04	VJR1-04	VJO1-04/M		M5 x 177	320	760-0147
M-TR		VPP2-04	VJR1-04		VSO1-04/M	M5 x 177	320	760-0147
M-TR		VPP2-04		VJO1-04/M	VSO1-04/M	M5 x 177	320	760-0147
M-TR			VJR1-04	VJO1-04/M	VSO1-04/M	M5 x 170	320	760-0080
	VRP2-04	VPP2-04	VJR1-04	VJO1-04/M		M5 x 170	320	760-0080
	VRP2-04	VPP2-04	VJR1-04		VSO1-04/M	M5 x 170	320	760-0080
	VRP2-04	VPP2-04		VJO1-04/M	VSO1-04/M	M5 x 170	320	760-0080
	VRP2-04		VJR1-04	VJO1-04/M	VSO1-04/M	M5 x 170	320	760-0080
		VPP2-04	VJR1-04	VJO1-04/M	VSO1-04/M	M5 x 170	320	760-0080
M-TR	VRP2-04	VPP2-04	VJR1-04	VJO1-04/M		M5 x 210	250	760-0085
M-TR	VRP2-04	VPP2-04	VJR1-04		VSO1-04/M	M5 x 210	250	760-0085
M-TR	VRP2-04	VPP2-04		VJO1-04/M	VSO1-04/M	M5 x 210	250	760-0085
M-TR	VRP2-04		VJR1-04	VJO1-04/M	VSO1-04/M	M5 x 202	250	760-0095
M-TR		VPP2-04	VJR1-04	VJO1-04/M	VSO1-04/M	M5 x 210	250	760-0085
	VRP2-04	VPP2-04	VJR1-04	VJO1-04/M	VSO1-04/M	M5 x 202	250	760-0095

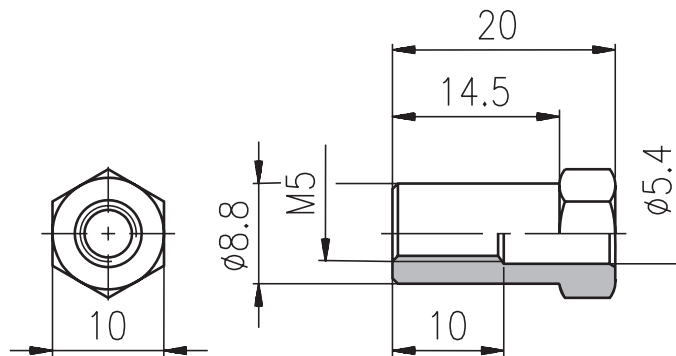
\* The order number contains a set of 4 studs and 4 nuts.

**Valve Dimensions**

Dimensions in millimeters

**Stud Bolt**

Stud bolt M5 x L (length L see the table), class of strength 10.9.

**Stud Nut****Order numbers of Individual Stud Bolts and Stud Nuts**

Name	Dimension	Weight/100 pcs (kg)	Ordering number
Stud Bolt	M5 x 77	1.08	309001005077
Stud Bolt	M5 x 82	1.15	309001005082
Stud Bolt	M5 x 110	1.55	309001005110
Stud Bolt	M5 x 115	1.62	309001005115
Stud Bolt	M5 x 136	1.92	309001005136
Stud Bolt	M5 x 144	2.03	309001005144
Stud Bolt	M5 x 170	2.39	309001005170
Stud Bolt	M5 x 177	2.49	309001005177
Stud Bolt	M5 x 202	2.84	309001005202
Stud Bolt	M5 x 210	2.96	309001005210
Stud Nut	M5	0.71	336 677 721 990

## Caution!

- The technical information regarding the product presented in this catalogue is for descriptive purposes only. It should not be construed in any case as a guaranteed representation of the product properties in the sense of the law.

ARGO-HYTOS s.r.o. CZ - 543 15 Vrchlabí  
Tel.: +420-499-403111, Fax: +420-499-403421  
E-mail: sales.cz@argo-hytos.com  
www.argo-hytos.com