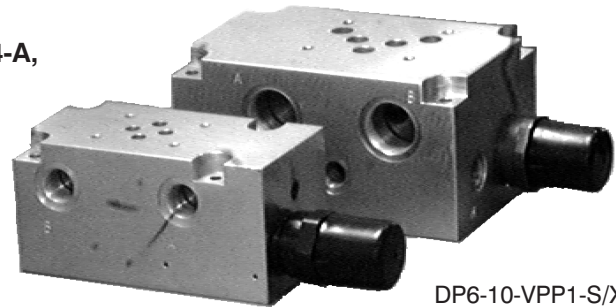
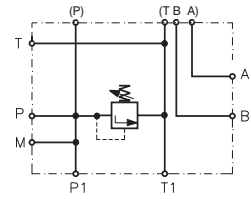


- Basic manifold for hydraulic systems**
- 6 pressure ranges**
- Installation dimensions to ISO 4401-AB-03-4-A,
ISO 4401-AC-05-4-A, DIN 24 340-A6
and DIN 24 340-A10**



DP6-06-VPP1-S/XX

DP6-10-VPP1-S/XX

Functional Description

Basic manifolds DP6 are used for hydraulic systems which require only one directional valve assembly. With regard to its versatile connection possibilities, it is suitable either for horizontal mounting of the pump drive unit on the tank cover, or for vertical arrangement with the pump situated in the tank under the oil level.

The steel manifold can be supplied in two sizes. A direct operated pressure relief valve is available in six pressure ranges.

The basic surface treatment of the block is zinc coating.

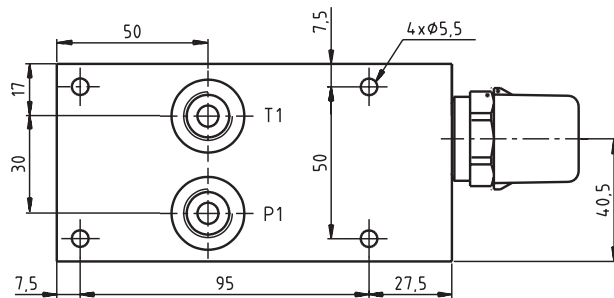
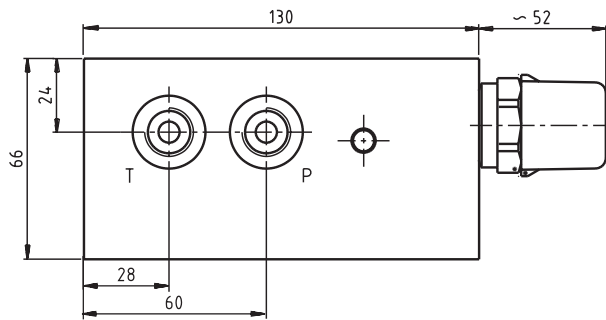
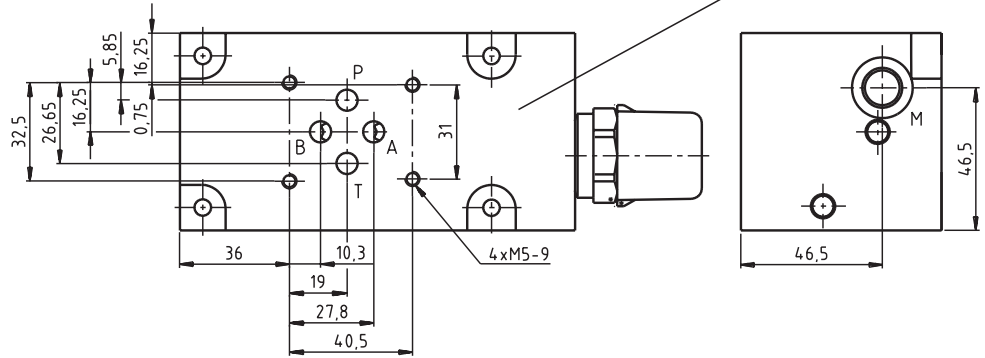
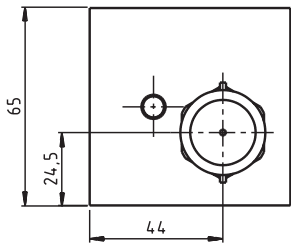
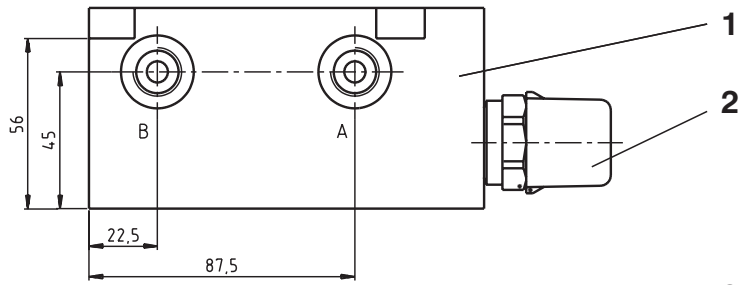
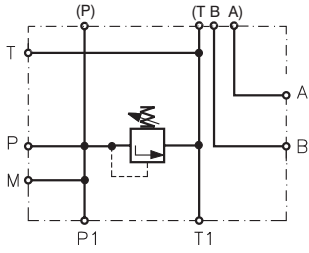
Ordering Code

DP6 - <input type="text"/> - <input type="text"/> - <input type="text"/> / <input type="text"/>	
<p>Basic block</p> <hr/> <p>Nominal size 06 mm 06 10 mm 10</p> <hr/> <p>Pressure relief valve VPP1 - 06, 10 VPP1 VPP2 - 06 VPP2</p> <hr/>	<p style="text-align: center;">2.5 6.3 10 16 25 32</p> <hr/> <p style="text-align: center;">S R</p> <hr/>
	<p style="text-align: right;">Druckstufe up to 25 bar up to 63 bar up to 100 bar up to 160 bar up to 250 bar up to 320 bar</p> <hr/> <p style="text-align: right;">Adjustment element Screw with inside HEX 5 Hand knob</p> <hr/>

Valve Dimensions

Dimensions and millimeters

DP6-06-VPP1-S/XX



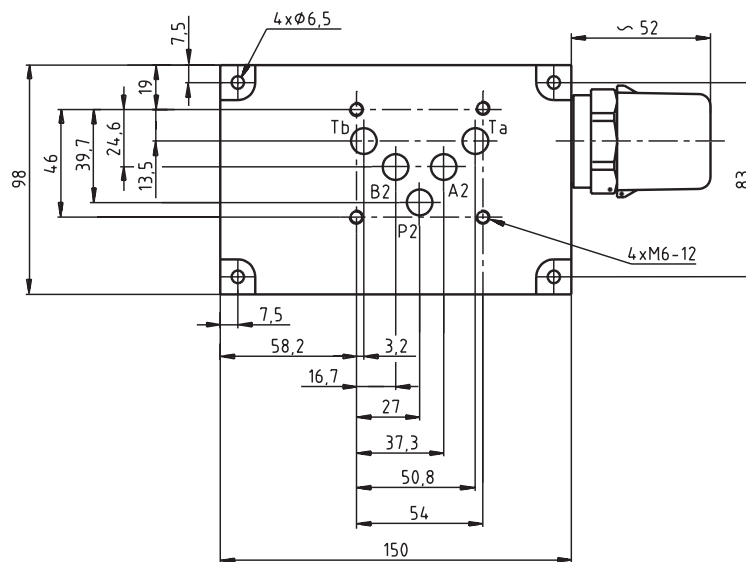
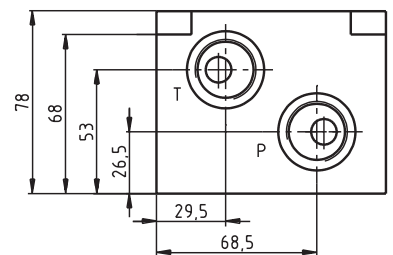
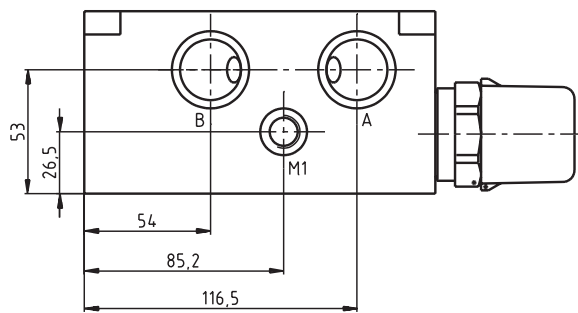
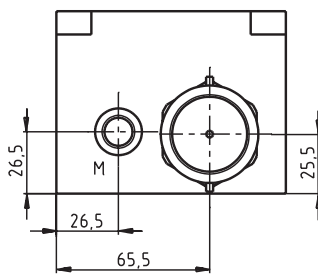
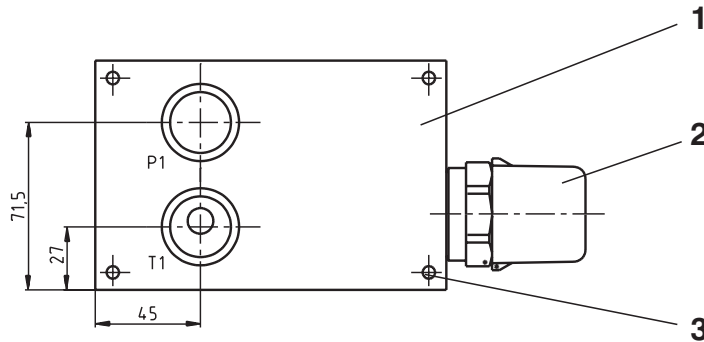
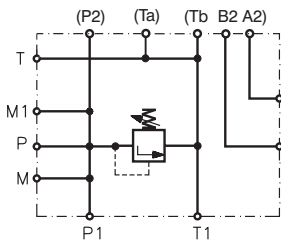
- 1 Basic block
- 2 Pressure relief valve
- 3 4 mounting holes

Port	A	B	P	T	P1	T1	M
Thread	G3/8	G3/8	G3/8	G3/8	G3/8	G3/8	G1/4
Counterbore	Ø24	Ø24)	Ø24	Ø24	Ø28	Ø28	Ø20
Depth of counterbore	1	1	1	1	5.5	5.5	1

Valve Dimensions

Dimensions in millimeters

DP6-10-VPP1-S/XX



- 1 Basic block
- 2 Pressure relief valve
- 3 4 mounting holes

Port	A	B	P	T	P1	T1	M	M1
Thread	G3/4	G3/4	G3/4	G3/4	G3/4	G3/4	G1/4	G1/4
Counterbore	∅33	∅33	∅33	∅33	∅38	∅38	∅38	∅20
Depth of counterbore	1	1	1	1	5.5	5.5	1	1

Caution!

- The packing foil is recyclable.
- The technical information regarding the product presented in this catalogue is for descriptive purposes only. It should not be construed in any case as a guaranteed representation of the product properties in the sense of the law.

ARGO-HYTOS s.r.o. CZ - 543 15 Vrchlabí
Tel.: +420-499-403111, Fax: +420-499-403421
E-mail: sales.cz@argo-hytos.com
www.argo-hytos.com