

**Clogging Indicators**

**DG 023 · DG 024 · DG 025**  
**DG 041 · DG 042**

- For Pressure and High Pressure Filters
- Operating pressure up to 450 bar
- Response/Switching pressure up to 5,0 bar

## Description

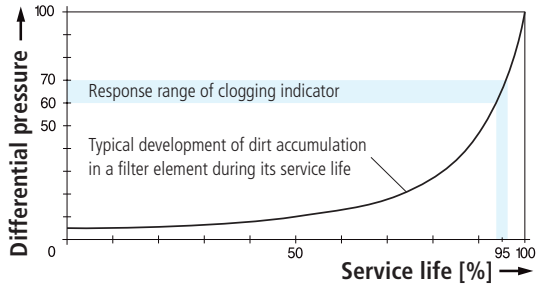
### Application

Monitoring the contamination of pressure and high pressure filters.

### General

Filter elements installed in hydraulic filters remove dirt from a hydraulic system and therefore become contaminated themselves.

Free pores or spaces in the filter material are obstructed by dirt particles, which causes a continuous increase in the initial pressure loss.



The dirt load collected in a filter element gradually increases during service, which also leads to a higher pressure drop. The resulting differential pressure  $\Delta p$  is monitored by a clogging indicator. Once a preset value is reached, an electrical and/or optical signal is generated.

The following must be observed in this context:

The pressure drop caused by the filter element increases depending on the flow rate, the dirt load, and the viscosity of the pressure fluid.

Therefore, a filter element is not regarded contaminated before the clogging indicator responds at operating temperature of the hydraulic system, causing a continuous signal.

### Consequences of an overdue filter element change

For filters equipped

with a bypass valve: The more dirt has collected in the filter element, the more frequently the bypass valve opens and part of the hydraulic fluid remains unfiltered. The high pressure loss causes unnecessary power consumption.

For filters without

a bypass valve:

The increasing pressure loss across the filter element, which reduces the efficiency of the hydraulic system, eventually causes malfunctions to occur or a pressure relief valve to respond.

### Design and principle of operation

Within the clogging indicator, the differential pressure  $\Delta p = p_1 - p_2$  (pressure upstream of the element minus pressure downstream of the element) caused by the filter element acts on a magnetic piston against the force of a spring.

In optical (mechanical) clogging indicators, the increasing differential pressure causes the piston to approach a second magnet with reversed polarity which in turn causes the indicator to change from green to red. In electrical clogging indicators, the magnetic piston triggers a reed switch.

### Special design features

Piston seal:

The piston actuated by the differential pressure is equipped with a leak-free O-ring seal. As a result, the total flow passes the filter element.

Proximity

position sensing:

Piston movement is detected by sensing a magnetic field, i.e. without mechanical contact. For this reason, ARGO-HYTOS clogging indicators are absolutely leak-free.

## Characteristics

### Operating pressure

0 ... 315 bar, min.  $10^7$  pressure cycles  
Nominal pressure according to DIN 24550

0 ... 450 bar, min.  $10^4$  pressure cycles  
Quasi-static operating pressure

### Connection

For the flange hole layout please refer to the section Dimensions (other fittings on request)

### Hydraulic fluids

Mineral oil and biodegradable fluids  
(HEES and HETG, see info-sheet 00.20)

### Temperature range of fluids

- 30 °C ... + 100 °C (short term + 120 °C)

### Ambient temperature range

- 30 °C ... + 80 °C

### Materials

- Housing: Aluminium alloy
- Piston: Brass
- Socket: Polyamide
- Display piece DG 042: Polyamide
- Seals: NBR (Viton on request)

### Operating voltage

10 ... 30 V DC  
(only required for clogging indicators with built-in LEDs)

### Electrical service life

Min.  $10^7$  switching cycles

### Electrical protection

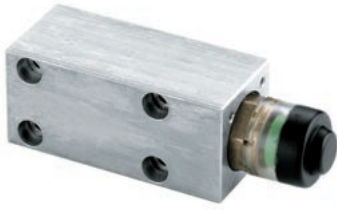
IP 65 (with mounted and secured socket)

### Mounting position

No limitation

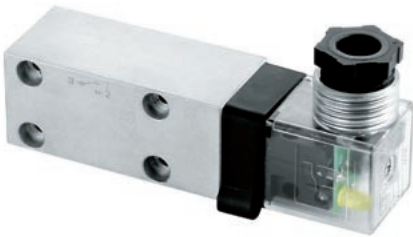
## Overview of types

### DG 042 - Optical differential pressure indicator



**Function:** When the preset differential pressure is reached, the optical indicator changes from green to red. If the pressure differential returns to a value below the preset limit, the indicator changes back to green, i.e. no manual reset of the indicator is required.

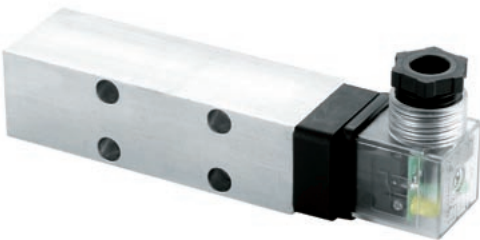
### DG 041 - Electrical differential pressure switch (change-over)



**Function:** When the preset differential pressure is reached, the built-in Reed switch changes over.  
The change-over switch makes it possible to indicate a broken wire by means of a suitable electronic circuit, as compared to a make contact switch.

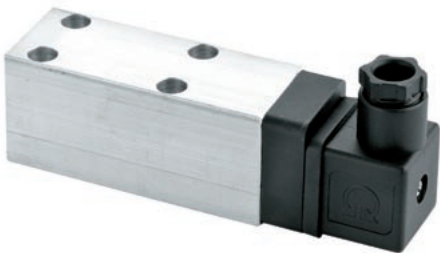
**Option:** The transparent socket with 2 built-in LEDs makes it possible to have an additional optical indication of the filter contamination.  
When the operating voltage is switched on, a green LED lights up.  
When the switching pressure is reached, a yellow LED lights up in addition.

### DG 023 - Electrical differential pressure switch with temperature suppression (change-over)



**Function:** The built-in Reed switch changes over when the preset differential pressure is exceeded.  
If the temperature drops below 32 °C, a temperature switch opens and suppresses the signal of the differential pressure switch.  
The transparent socket with 2 built-in LEDs makes it possible to have an additional optical indication of the filter contamination (function described at DG 041).

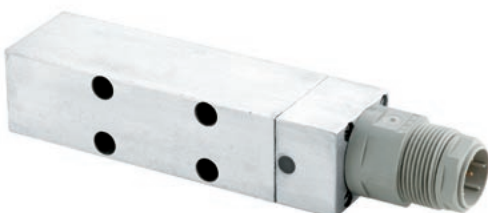
### DG 024 - Electrical differential pressure switch with 2 switching points (break)



**Function:** When 70% of the preset differential pressure is reached, the first Reed switch opens, at 100% the second built-in Reed switch opens.

**Note:** Since the differential pressure of a filter element rises at an exponential rate towards the end of the element's service life (refer to the Description section), approximately 95% of the service life has expired when the first Reed contact opens (at 70% of  $\Delta p$  setting).

### DG 025 - Electrical differential pressure switch with 2 switching points with/without temperature suppression (change-over)



**Function:** Upon reaching 60% and 100% of the preset differential pressure, the two built-in Reed switches change over.

**Option:** In order to suppress the signal at temperatures < 32 °C, a temperature-compensated version of the differential pressure switch is also available.

**Accessory:** For an additional optical indication of the filter contamination, a socket with 3 built-in LEDs is available with part no. DG 025.2601. When the operating voltage is switched on, a green LED lights up. Upon reaching the first switching pressure, a yellow LED lights up in addition. Exceeding the 2nd switching pressure causes an extra red LED to light up.

**Note:** Refer to DG 024.

# Selection Chart

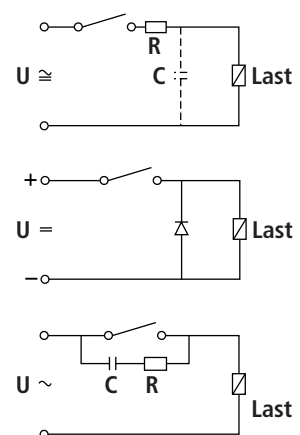
Part No.	Optical indicator	Electrical switch	Temp-suppression < 32° C S <sub>1</sub>	Response/Switching pressure S <sub>2</sub> /S <sub>3</sub>	Type of contact	Switching voltage U	Switching current I	Switching power P	Symbol	Weight	Remarks
1	2	3	4	5	6	7	8	9	10	11	12
				bar		V AC/DC	A AC/DC	VA/W AC/DC		kg	
DG 042-01	•	-	-	2,0	-	-	-	-	1	0,17	-
DG 042-02	•	-	-	5,0	-	-	-	-	1	0,17	-
DG 041-61	-	•	-	1,2	change-over	120/175	0,17/0,25	3,5/5,0	2	0,19	with socket
DG 041-31	-	•	-	2,0	change-over	120/175	0,17/0,25	3,5/5,0	2	0,19	with socket
DG 041-44	•	•	-	2,0	change-over	- /30	- /0,25	- /3,0	3	0,19	with socket
DG 041-32	-	•	-	2,5	change-over	120/175	0,17/0,25	3,5/5,0	2	0,19	with socket
DG 041-33	-	•	-	5,0	change-over	120/175	0,17/0,25	3,5/5,0	2	0,19	with socket
DG 041-43	•	•	-	5,0	change-over	- /30	- /0,25	- /3,0	3	0,19	with socket
DG 023-03	•	•	•	2,0	change-over	- /30	- /0,25	- /3,0	4	0,34	with socket
DG 023-02	•	•	•	5,0	change-over	- /30	- /0,25	- /3,0	4	0,34	with socket
DG 024-02	-	•	-	3,5/5,0	break	120/175	0,17/0,25	3,5/5,0	5	0,27	with socket
DG 025-05	-	•	-	3,0/5,0	change-over	120/175	0,17/0,25	3,5/5,0	6	0,31	without socket
DG 025-06	-	•	•	3,0/5,0	change-over	120/175	0,17/0,25	3,5/5,0	7	0,38	without socket

**Remarks:**

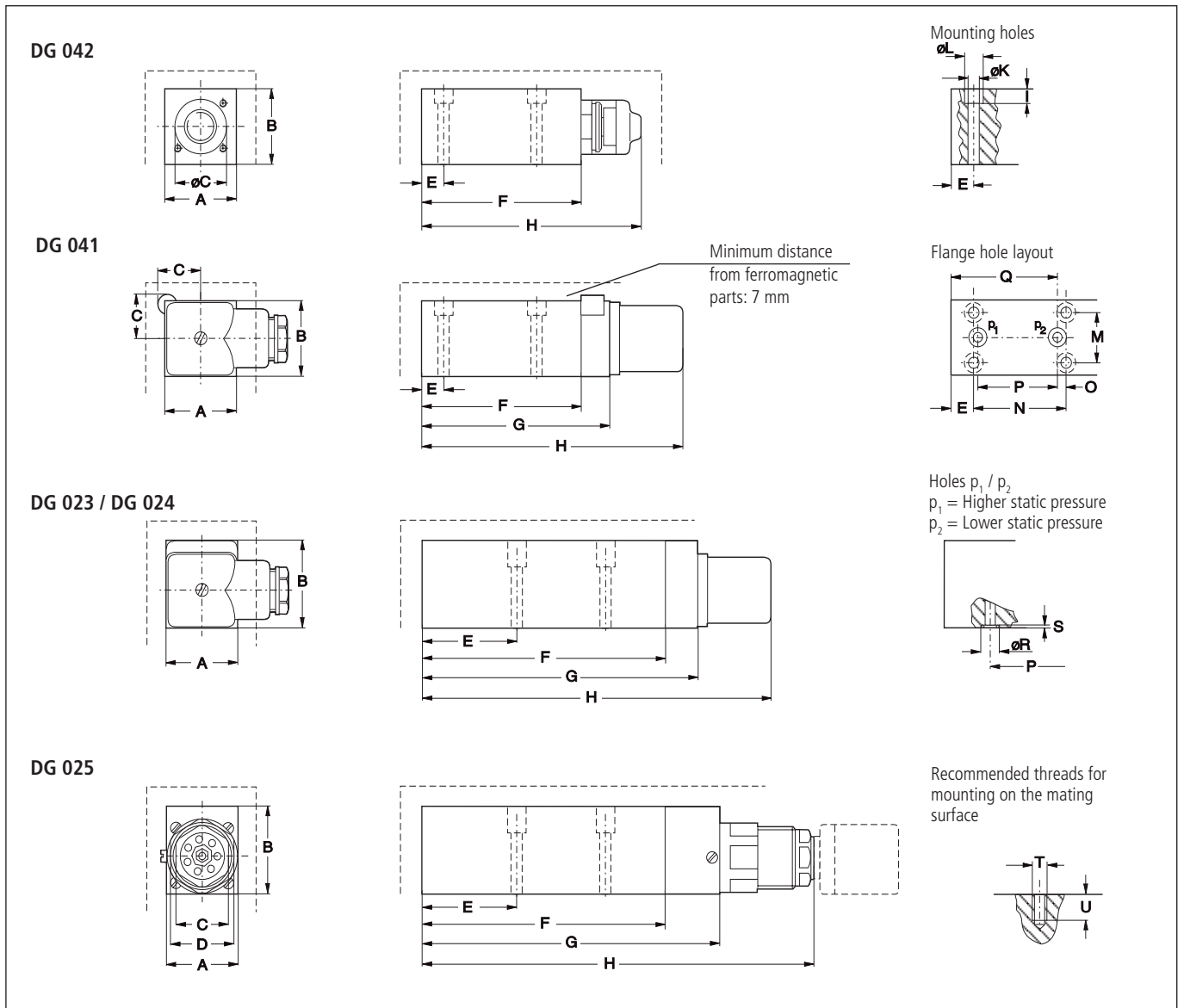
- The response/switching pressure of the clogging indicator must be lower than the cracking pressure of the bypass valve of the filter.
- The clogging indicators listed in this chart are standard units. Other designs available on request.
- Reed switches are sensitive of excessively strong currents. Even a short-term overload causes an increased contact resistance or failure of the switch. By taking the following precautions, premature failure of Reed switches due to overload is avoided.

**Wiring suggestions:**

- Current limiter for DC and AC voltage:  
If light bulbs or other loads are connected over long distances (conductor capacity!), a protective resistor should be connected in series in order to limit the current. The same applies when capacitance loads are connected.
- Spark suppression in DC applications:  
The contacts of Reed switches open extremely fast, causing voltage peaks to be induced when switching off inductive loads, such as relays, lifting magnets, or solenoid valves. The resulting self-induction currents are short-circuited by connecting a diode in parallel to the inductive load.
- Spark suppression in AC applications:  
In AC applications, a diode connected in parallel to the load is not sufficient. RC elements should be used here, connected in parallel to the Reed switch. Please contact our design engineers for advice in order to select a suitable RC element.



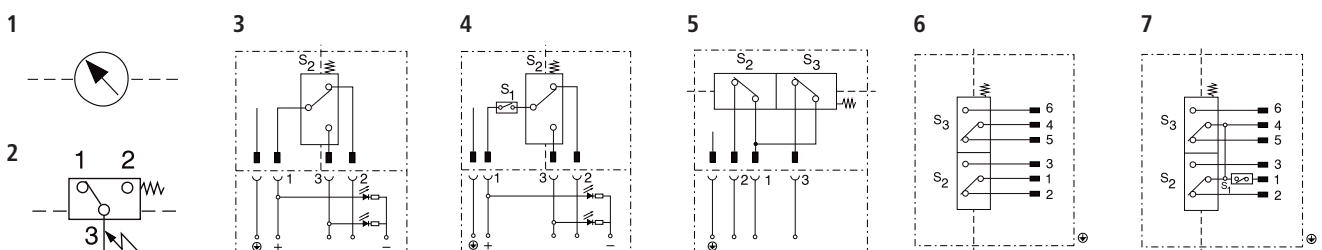
## Dimensions



## Measurements

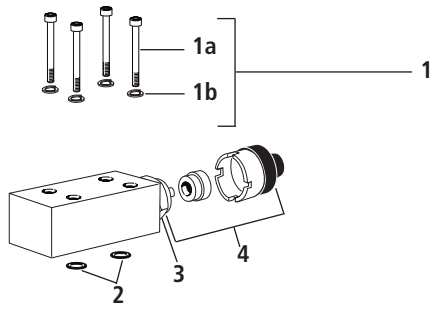
Type	A	B	C	D	E	F	G	H	I	K	L	M	N	O	P	Q	R	S	T	U
DG 042	30	30	21,5	-	8	67	-	93	6	4,5	8	20	39	3	34	44	7,2	1,1	M4	6
DG 041	30	30	17,5	-	8	67	80	110	6	4,5	8	20	39	3	34	44	7,2	1,1	M4	6
DG 023	30	35	-	-	38	102	114	147	11	4,5	8	20	39	3	34	74	7,2	1,1	M4	6
DG 024	30	35	-	-	9	77	89	122	11	4,5	8	20	39	3	34	45	7,2	1,1	M4	6
DG 025-05	30	35	22	27	9	77	100	139	11	4,5	8	20	39	3	34	45	7,2	1,1	M4	6
DG 025-06	30	35	22	27	38	102	125	165	11	4,5	8	20	39	3	34	74	7,2	1,1	M4	6

## Symbols

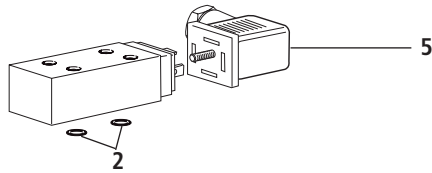


## Spare Parts

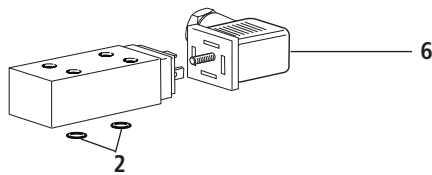
DG 042



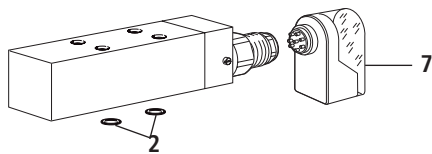
DG 041 / DG 024



DG 041 / DG 023



DG 025



Pos.	Designation	Part No.
<b>1</b>	Mounting accessories *	DG 020.1710
<b>1a</b>	Bolt * M4 x 30 DIN 912-8,8	3302001
<b>1b</b>	Spring washer * B4 DIN 127	3315001
<b>2</b>	O-ring 4,5 x 1,5	N 007.0041
<b>3</b>	O-ring 12,3 x 2,4	N 007.0124
<b>4</b>	Display piece assy	DG 042.1410
<b>5</b>	Socket DIN 43650 - AF3	DG 041.1220
<b>6</b>	Socket with 2 LED DIN 43650 - AF3	DG 041.1200
<b>7</b>	Socket with 3 LED *	DG 025.2601
	DIN 43651	

\*Not included in basic unit

The functions of the complete filters as well as the outstanding features of the filter elements assured by ARGO-HYTOS can only be guaranteed if original ARGO-HYTOS spare parts are used.

## Qualitätssicherung

Quality management according to DIN EN ISO 9001

Various quality controls during the production process guarantee the leakfree function and solidity of our filters.

Our engineers will be glad to advice you in questions concerning filter application, selection as well as the cleanliness class of the filtered medium attainable under practical operating conditions.

Illustrations may sometimes differ from the original. ARGO-HYTOS is not responsible for any unintentional mistake in this specification sheet.



We produce fluid power solutions

ARGO-HYTOS GMBH · Industriestraße 9 · D-76703 Kraichtal

Tel: +49 7250 76-0 · Fax: +49 7250 76-199 · info.de@argo-hytos.com · www.argo-hytos.com