



High Pressure Filters

**HD 314 • HD 414
HD 614**

- Flange mounting
- Operating pressure up to 350 bar
- Nominal flow rate up to 400 l/min

Description

Application

In the high pressure circuits of hydraulic systems.

Performance features

Protection

against wear: By means of filter elements that, in full-flow filtration, meet even the highest demands regarding cleanliness classes.

Protection against

malfunction: Through installation near to the control valves or other expensive components. The specific determined flow rate guarantees a closed by-pass valve even at $\leq 200 \text{ mm}^2/\text{s}$ (cold start condition).

Filter elements

Flow direction from outside to centre. The star-shaped pleating of the filter material results in:

- large filter surfaces
- low pressure drop
- high dirt-holding capacities
- long service life

Filter maintenance

By using a clogging indicator the correct moment for maintenance is stated and guarantees the optimum utilization of the filter life.

Materials

Filter head: Spheroidal graphite cast iron (SGI)
Filter bowl: Cold extruded steel
Coating: Powder paint
Seals: NBR (Viton on request)
Filter media: EXAPOR®MAX - inorganic multi-layer microfibre web
Paper - cellulose web, impregnated with resin

Accessories

Electrical and/or optical clogging indicators are available - optionally with one or two switching points resp. temperature suppression. Dimensions and technical data see catalogue sheet 60.30.

Characteristics

Operating pressure

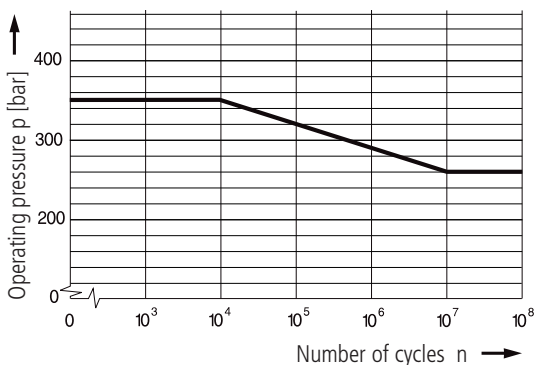
0 ... 260 bar, min. 10^7 pressure cycles

Nominal pressure according to DIN 24550

0 ... 350 bar, min. 10^4 pressure cycles

Quasi-static operating pressure

Permissible pressures for other numbers of cycles



Nominal flow rate

Up to 400 l/min (see Selection Chart, column 2)

The nominal flow rates indicated by ARGO-HYTOS are based on the following features:

- closed by-pass valve at $v \leq 200 \text{ mm}^2/\text{s}$
- element service life > 1000 operating hours at an average fluid contamination of 0,07 g per l/min flow volume
- flow velocity in the connection lines:
 - up to 250 bar $\leq 8 \text{ m/s}$
 - up to 450 bar $\leq 12 \text{ m/s}$

Filter fineness

5 $\mu\text{m(c)}$... 16 $\mu\text{m(c)}$

β -values according to ISO 16889

(see Selection Chart, column 4 and diagram Dx)

Dirt-holding capacity

Values in g test dust ISO MTD according to ISO 16889

(see Selection Chart, column 5)

Hydraulic fluids

Mineral oil and biodegradable fluids
(HEES and HETG, see info-sheet 00.20)

Temperature range

- 30 °C ... + 100 °C (temporary - 40 °C ... + 120 °C)

Viscosity at nominal flow rate

- at operating temperature: $v < 60 \text{ mm}^2/\text{s}$
- as starting viscosity: $v_{\text{max}} = 1200 \text{ mm}^2/\text{s}$
- at initial operation: The recommended starting viscosity can be read from the diagram D (pressure drop as a function of the kinematic viscosity) as follows: Find the 70% Δp of the cracking pressure of the by-pass valve on the vertical axis. Draw a horizontal line so that it intersects the Δp curve at a point. Read this point on the horizontal axis for the viscosity.

Mounting position

Preferably vertical, filter head on top

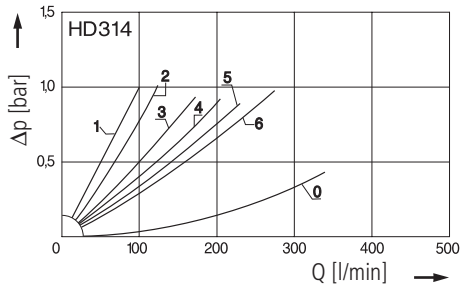
Connection

2 x $\varnothing 31 \text{ mm}$ on plain flange

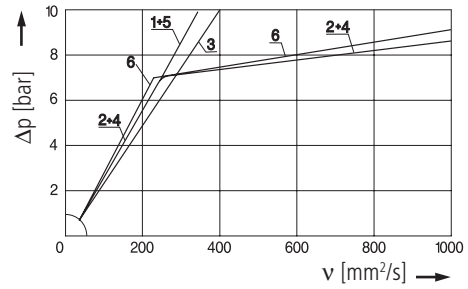
Diagrams

Δp -curves for complete filters in Selection Chart, column 3

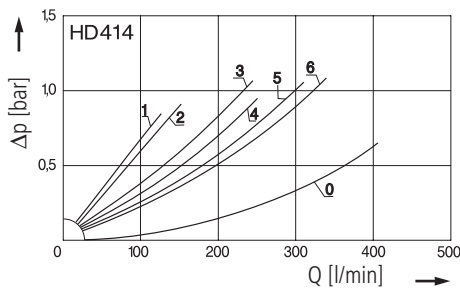
D1 Pressure drop as a function of the **flow volume**
at $v = 35 \text{ mm}^2/\text{s}$ ($0 =$ casing empty)



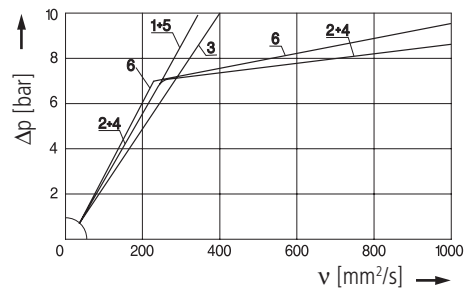
Pressure drop as a function of the **kinematic viscosity**
at nominal flow



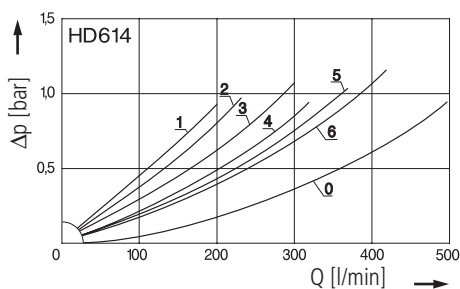
D2 Pressure drop as a function of the **flow volume**
at $v = 35 \text{ mm}^2/\text{s}$ ($0 =$ casing empty)



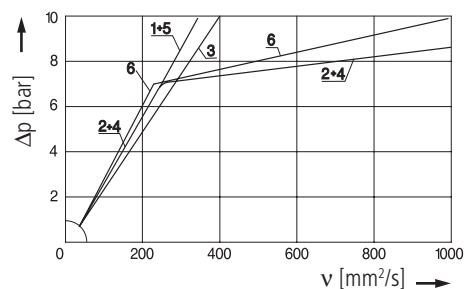
Pressure drop as a function of the **kinematic viscosity**
at nominal flow



D3 Pressure drop as a function of the **flow volume**
at $v = 35 \text{ mm}^2/\text{s}$ ($0 =$ casing empty)

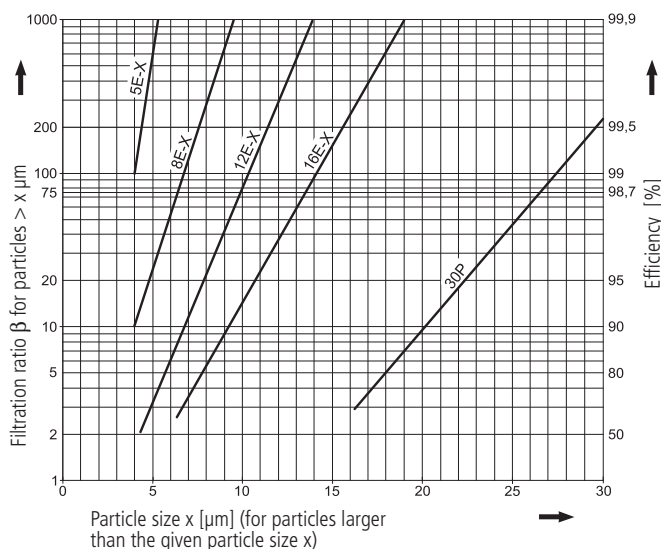


Pressure drop as a function of the **kinematic viscosity**
at nominal flow



Filter fineness curves in Selection Chart, column 4

Dx Filtration ratio β as a function of particle size x obtained by the
Multi-Pass Test according to ISO 16889



The abbreviations represent the following β -values resp. finenesses:

For EXAPOR[®]MAX- and Paper elements:

- 5 E-X** = $\beta_{5(c)} = 200$ EXAPOR[®]MAX
- 8 E-X** = $\beta_{8(c)} = 200$ EXAPOR[®]MAX
- 12 E-X** = $\beta_{12(c)} = 200$ EXAPOR[®]MAX
- 16 E-X** = $\beta_{16(c)} = 200$ EXAPOR[®]MAX
- 30 P** = $\beta_{30(c)} = 200$ Paper

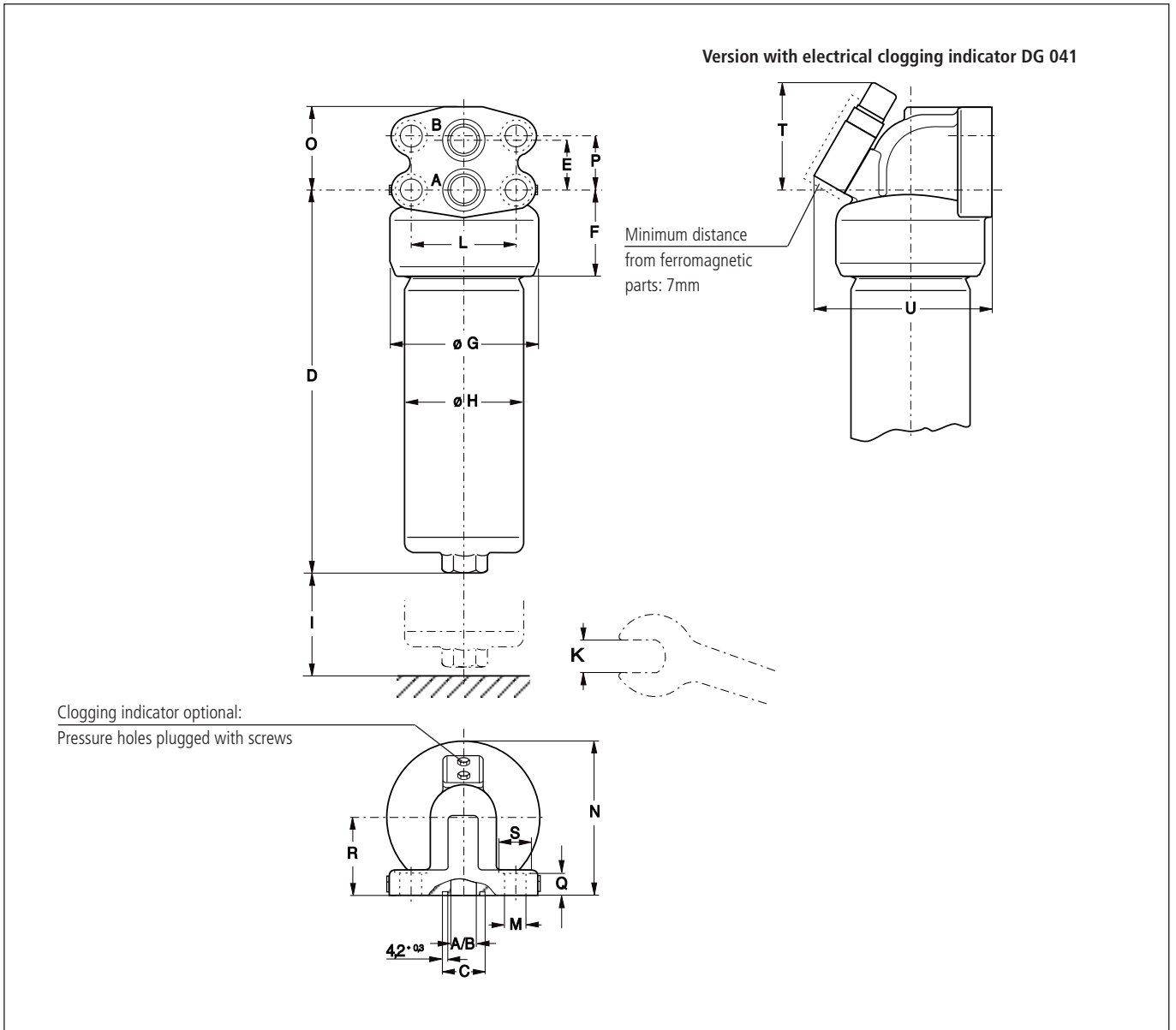
Based on the structure of the filter media of the 30 P paper elements, deviations from the printed curves are quite probable.

For screen elements:

- 40 S** = screen material with mesh size 40 μm
 - 60 S** = screen material with mesh size 60 μm
 - 100 S** = screen material with mesh size 100 μm
- Tolerances for mesh size according to DIN 4189

For special applications, finenesses differing from these curves are also available by using special composed filter media.

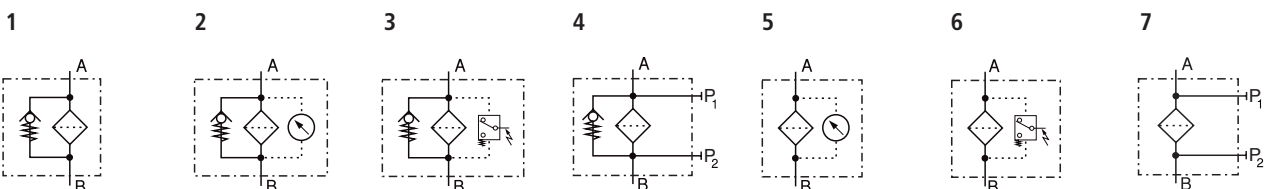
Dimensions



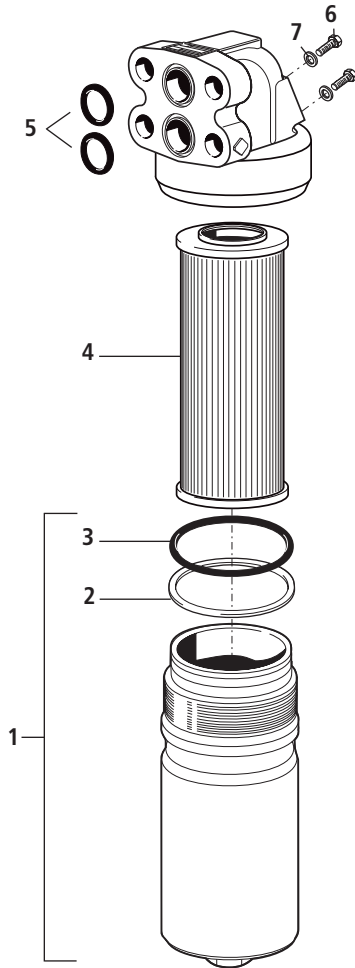
Measurements

Type	A/B	C	D	E	F	G	H	I	K	L	M	N	O	P	Q	R	S	T	U
HD 314	Ø 31	44,4	263	52	82	138	109	80	32	95	21,5	150	83	58	25	80	34	93	165
HD 414	Ø 31	44,4	325	52	82	138	109	80	32	95	21,5	150	83	58	25	80	34	93	165
HD 614	Ø 31	44,4	426	52	82	138	109	80	32	95	21,5	150	83	58	25	80	34	93	165

Symbols



Spare Parts



Pos.	Designation	Part No.
1	Filter bowl HD 314 (with Pos. 2 and 3)	HD 250.0701
1	Filter bowl HD 414 (with Pos. 2 and 3)	HD 451.0702
1	Filter bowl HD 614 (with Pos. 2 and 3)	HD 619.0701
2	Back-ring	HD 255.0102
3	O-ring 94,84 x 3,53	N 007.0953
4	Filter element (with seal)	s. Chart / col. 9
5	O-ring 37,69 x 3,53 *	N 007.0384
6	Hexagonal head screw M4 x 8 DIN 933-8.8	3301051
7	Bonded Seal 4,1 x 7,2 x 1	3404074

* Not supplied with filter - has to be ordered separately

The functions of the complete filters as well as the outstanding features of the filter elements assured by ARGO-HYTOS can only be guaranteed if original ARGO-HYTOS spare parts are used.

Quality Assurance

Quality management according to DIN EN ISO 9001

To ensure constant quality in production and operation, ARGO-HYTOS filter elements undergo strict controls and tests according to the following DIN and ISO standards:

DIN ISO 2941	Verification of collapse/burst resistance
DIN ISO 2943	Verification of material compatibility with fluids
DIN ISO 3724	Verification of flow fatigue characteristics

ISO 2942 ISO 3968 ISO 16889

Verification of fabrication integrity (Bubble Point Test)
Evaluation of pressure drop versus flow characteristics
Multi-Pass-Test (evaluation of filter fineness and dirt-holding capacity)

Before release into the series production the filter casing is tested for fatigue strength in our pressure pulse test rig. Various quality controls during the production process guarantee the leakfree function and solidity of our filters.

Our engineers will be glad to advice you in questions concerning filter application, selection as well as the cleanliness class of the filtered medium attainable under practical operating conditions.

Illustrations may sometimes differ from the original. ARGO-HYTOS is not responsible for any unintentional mistake in this specification sheet.



We produce fluid power solutions

ARGO-HYTOS GMBH · Industriestraße 9 · D-76703 Kraichtal

Tel: +49 7250 76-0 · Fax: +49 7250 76-199 · info.de@argo-hytos.com · www.argo-hytos.com